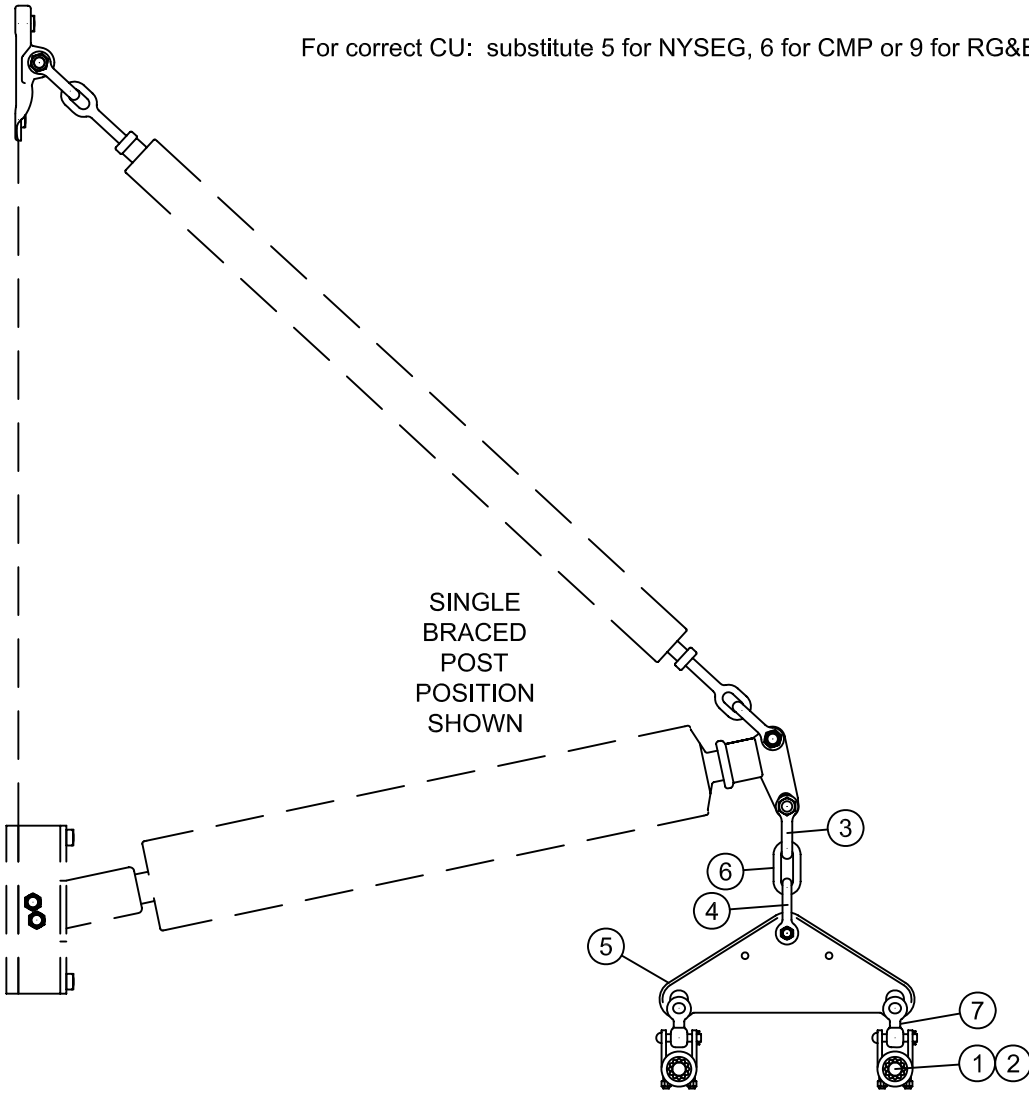


mark	-B 477 18/1	-X 795 26/7	-F 1033 45/7	-K 1192 45/7	BILL OF MATERIAL			Type of CU: CNDO
ITEM NO.	QTY.	QTY.	QTY.	QTY.	UOM	NYSEG MID	CMP MID	CU: C*CT-TS-B2A2Y1-(mark)
1	6				SET	1007237020	6000220410	ROD ARMOR PREF AL 0.783-0.814
1		6			SET	1007237068	6000220470	ROD ARMOR PREF AL 1.099-1.139
1			6		SET	1007237075		ROD ARMOR PREF AL 60IN 1.209-1.269
1				6	SET	1007237077		ROD ARMOR PREF AL 60IN 1.270-1.327
2	6				EA	1036090149	6000111464	CLMP BLT SUSP AL W/SOC 1.00-1.49
2		6	6		EA	1036090204	6000111480	CLMP BLT SUSP AL W/SOC 1.40-2.04
2				6	EA	1036090218	6000111480	CLMP BLT SUSP AL W/SOC 1.40-2.18
3	3	3	3	3	EA	1039220521		SHKL ANCH 60K 3/4 BNK 7/8 OPNG
4	3	3	3	3	EA	1039220531		SHKL ANCH 60K 7/8 BNK 1-1/4 OPNG
5	3	3	3	3	EA	1039600600		YOKE AL TRIANGLE 32K BETH C-0112-1
6	3	3	3	3	EA	200093		LNK CHN 40K 1 X 3-1/4 OPNG 5/8 STOCK
7	6	6	6	6	EA		6000272940	FTTNG Y-CLV EYE 30K 11/16 H

CU Function: TL69 for 35kV & 46kV, TG69 for 69kV - 344kV, T345 for 345kV and greater.

For correct CU: substitute 5 for NYSEG, 6 for CMP or 9 for RG&E in place of asterisk (C\*\_).



FOR OTHER WIRE SIZES:  
REFER TO TJ-01-001  
FOR SUSPENSION CLAMPS  
AND ASSOCIATED  
PREFORMED ARMOR RODS.

ASSOCIATED STANDARD:  
TANGENT SUSPENSION  
BRACED POST  
BUNDLED CONDUCTOR

THIS IS A COMPUTER GENERATED DRAWING - DO NOT REVISE MANUALLY

Contact System Engineering - Transmission Section for the creation of new standards and CUs.

Drawing Scale: 3/4" = 1'



IUSA  
TRANSMISSION  
CONSTRUCTION  
STANDARDS  
MANUAL

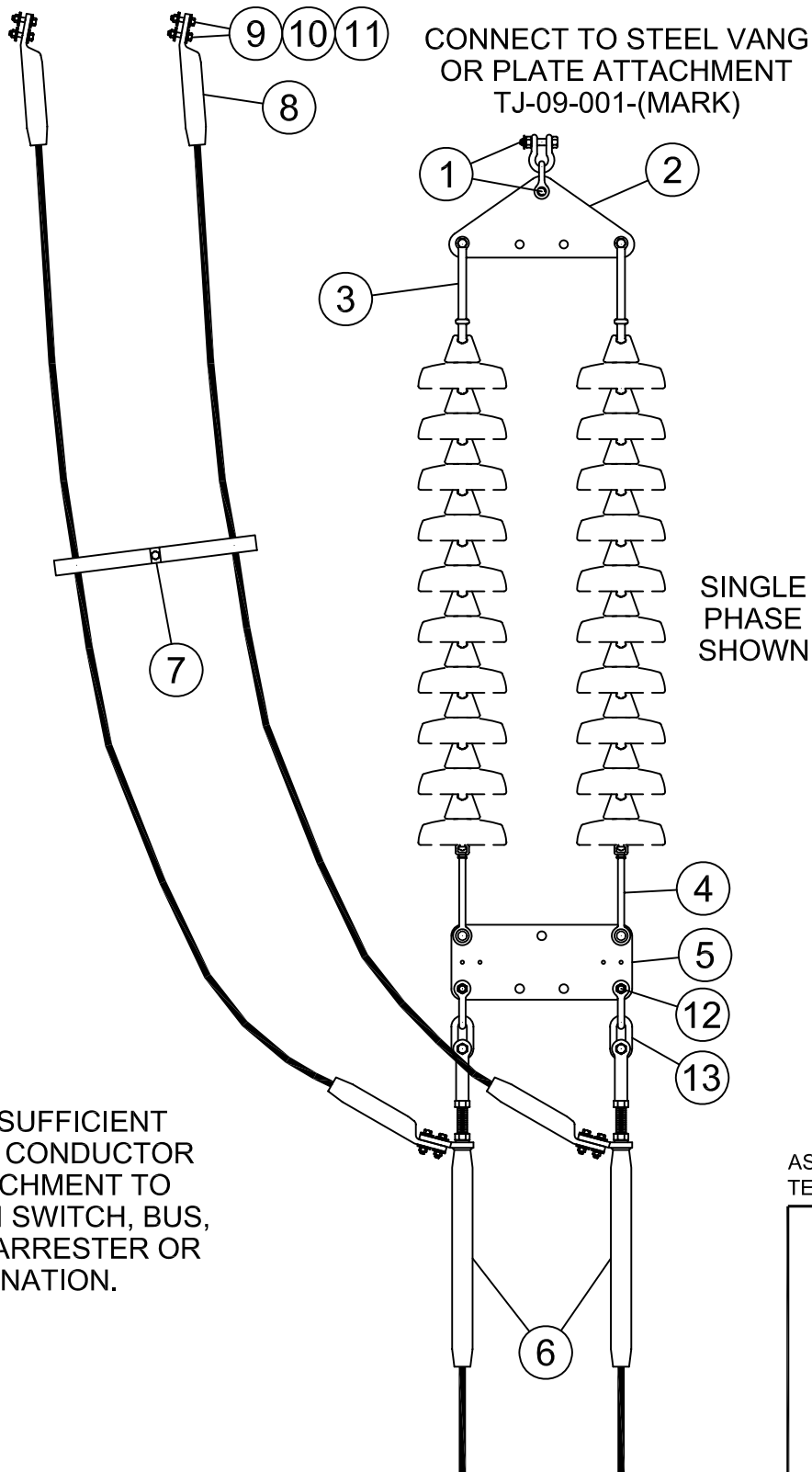
TRANSMISSION SPECIFY DETAILS  
SINGLE CIRCUIT - BUNDLED CONDUCTOR  
TANGENT SUSPENSION - BRACED POST  
6 SUSPENSION CLAMPS - 6 SETS ARMOR RODS - 3 YOKES

ISSUE  
0  
DATE  
12/13/2012

Drwn. By: L.A. Best | Date Dr.: 6/17/2011 | Checked By: Bartczak/Becken/Shepard | Date Ck.: 11/17/2011 | Approved By: Barry R. Hart | Date App.: 12/13/2012

**TS-B2A2Y1-x**

Sheet 1



PROVIDE SUFFICIENT LENGTH OF CONDUCTOR FOR ATTACHMENT TO SUBSTATION SWITCH, BUS, LIGHTNING ARRESTER OR TERMINATION.

ASSOCIATED STANDARD:  
TERMINAL DEAD ENDS

THIS IS A COMPUTER GENERATED DRAWING - DO NOT REVISE MANUALLY

Contact System Engineering - Transmission Section for the creation of new standards and CUs.

Drawing Scale: 1" = 20



IUSA  
TRANSMISSION  
CONSTRUCTION  
STANDARDS  
MANUAL

TRANSMISSION SPECIFY DETAILS - SINGLE CIRCUIT  
BUNDLED CONDUCTOR - 3 DOUBLE INSULATOR STRINGS  
TERMINAL DEAD END - 6 TERMINAL PADS  
6 COMPRN DE ASSY - 3 TRI/RECT YOKES - 3 SPACERS

ISSUE	0
DATE	12/13/2012

Drwn. By:	Date Dr.:	Checked By:	Date Ck.:	Approved By:	Date App.:
L.A. Best	12/5/2011	Bartczak/Becken/Shepard	12/5/2011	Barry R. Hart	12/13/2012

**TS-C2D1T2-x**

Sheet 1

For use with class 52-3 & 52-5 disc insulators

mark	-X	-F	-K		BILL OF MATERIAL			Type of CU: CNDO
ITEM NO.	QTY.	QTY.	QTY.	QTY.	UOM	NYSEG MID	CMP MID	CU: C*CT-TS-C2D1T2-(mark)
1	6	6	6		EA	1039220511	6000274326	SHCKL ANCH 3/4 BNK 1-1/16 OPNG
2	3	3	3		EA	1039620100		YOKE STL TRIANG 60K US
3	6	6	6		EA	1036427000		FTTNG CLV-Y BALL SM HL 30K 3/4 BNK
4	6	6	6		EA	1036428000		FTTNG CLV-Y SOC SM HL 30K 3/4 BNK
5	3	3	3		EA	1039617300		YOKE STL RECTANG 60K US
6	6				EA	1036346130		CDE ASSY AL SING TNG 1.108 DIA
6		6			EA	1036345156		CDE ASSY AL SING TNG 1.213 DIA
6			6		EA	1036345165		CDE ASSY AL SING TNG 1.302 DIA
7	3				EA	**		SPCR BNDL COND RIGID 18SPC
7		3			EA	1039232505		SPCR BNDL COND RIGID 18SPC 1.201-1.220
7			3		EA	1039232765		SPCR BNDL COND RIGID 18SPC 1.290-1.320
8	6				EA	860-504-10	6000117401	CONN AL COMP TERM 4H PAD 1.108 DIA
8		6			EA	1086050413		CONN AL COMP TERM 4H PAD 1.212 DIA
8			6		EA	1086050419		CONN AL COMP TERM 4H PAD 1.302 DIA
9	24	24	24		EA	1080002004		BOLT AL BUS BAR HEX HD HVY SERIES
10	24	24	24		EA	1080002110		NUT AL BUS BAR HEX HD HVY SERIES
11	48	48	48		EA	1080002710		WSHR AL FLT 7/8 O.D. FOR 1/2
12	6	6	6		EA	1039220531		SHCKL ANCH 7/8 BNK 1-1/4 OPNG 60K
13*		6			EA	1036680025		LNK CHN 1 X 3-1/2 OPNG 3/4 STK 60K

ITEM 13 IS ONLY NEEDED IF THE COMPRESSION DEAD END HAS A CLEVIS END FITTING INSTEAD OF AN OVAL END FITTING.

CU Function:  
 TL69 for 35kV & 46kV,  
 TG69 for 69kV thru 344kV,  
 T345 for 345kV & greater.

\*\* AFL/Alcoa 3310 (1.080-1.110) or PLP CGTS-0112 (1.107-1.146)

For correct CU:  
 substitute 5 for NYSEG,  
 6 for CMP or 9 for RG&E  
 in place of asterisk (C\*\_).

ASSOCIATED STANDARD:  
 TERMINAL DEAD ENDS

FOR OTHER WIRE SIZES:  
 REFER TO TJ-04-001 FOR COMPRESSION DEAD END ASSEMBLIES  
 AND TJ-04-003 FOR COMPRESSION TERMINAL PADS.

THIS IS A COMPUTER GENERATED DRAWING - DO NOT REVISE MANUALLY

Contact System Engineering - Transmission Section for the creation of new standards and CUs.

Drawing Scale: N/A



IUSA  
 TRANSMISSION  
 CONSTRUCTION  
 STANDARDS  
 MANUAL

TRANSMISSION SPECIFY DETAILS - SINGLE CIRCUIT  
 BUNDLED CONDUCTOR - 3 DOUBLE INSULATOR STRINGS  
 TERMINAL DEAD END - 6 TERMINAL PADS  
 6 COMPRN DE ASSY - 3 TRI/RECT YOKES - 3 SPACERS

ISSUE  
 0  
 DATE  
 12/13/2012

Drwn. By:	Date Dr.:	Checked By:	Date Ck.:	Approved By:	Date App.:
L.A. Best	12/5/2011	Bartczak/Becken/Shepard	12/5/2011	Barry R. Hart	12/13/2012

**TS-C2D1T2-x**

Sheet 2

For use with class 52-3 & 52-5 disc insulators

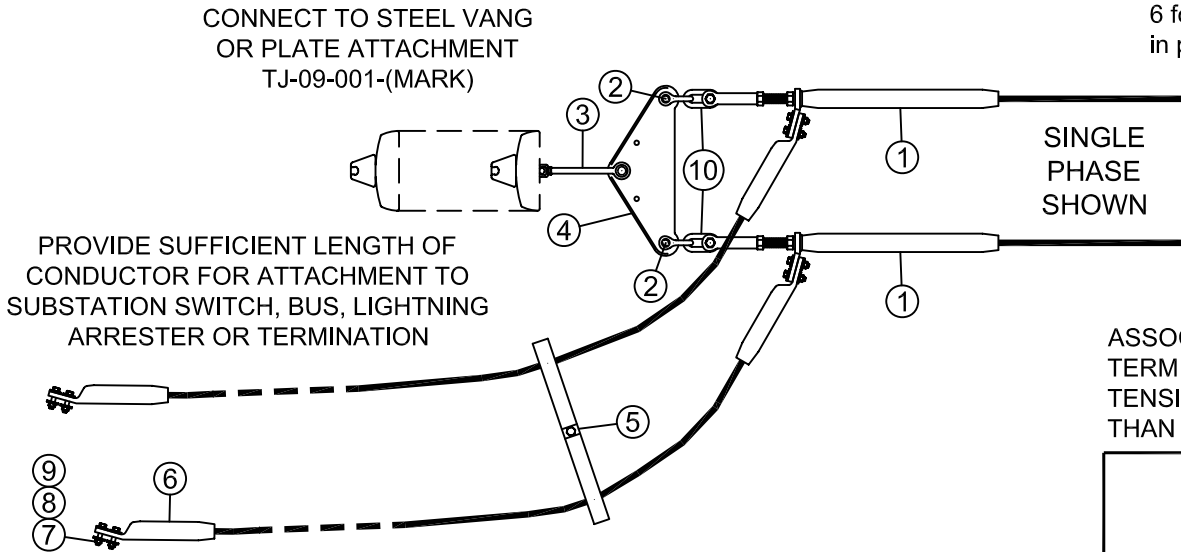
mark	-X	-F	-K		BILL OF MATERIAL			Type of CU: CNDO
ITEM NO.	QTY.	QTY.	QTY.	QTY.	UOM	NYSEG MID	CMP MID	CU: C*CT-TS-C2Y1T2-(mark)
1	6				EA	1036346130		CDE ASSY AL SING TNG 1.108 DIA
1		6			EA	1036345156		CDE ASSY AL SING TNG 1.213 DIA
1			6		EA	1036345165		CDE ASSY AL SING TNG 1.302 DIA
2	6	6	6		EA	1039220511	6000274326	SHCKL ANCH 3/4 BNK 1-1/16 OPNG
3	3	3	3		EA	1036428000		FTTNG CLV-Y SOC SM HL 30K 3/4 BNK
4	3	3	3		EA	1039600600		YOKE AL TRIANGLE 32K BETH C-0112-1
5	3				EA	**		SPCR BNDL COND RIGID 18SPC
5		3			EA	1039232505		SPCR BNDL COND RIGID 18SPC 1.201-1.220
5			3		EA	1039232765		SPCR BNDL COND RIGID 18SPC 1.290-1.320
6	6				EA	860-504-10	6000117401	CONN AL COMP TERM 4H PAD 1.108 DIA
6		6			EA	1086050413		CONN AL COMP TERM 4H PAD 1.212 DIA
6			6		EA	1086050419		CONN AL COMP TERM 4H PAD 1.302 DIA
7	24	24	24		EA	1080002004		BOLT AL BUS BAR HEX HD HVY SERIES
8	24	24	24		EA	1080002110		NUT AL BUS BAR HEX HD HVY SERIES
9	48	48	48		EA	1080002710		WSHR AL FLT 7/8 O.D. FOR 1/2
10*		6			EA	1036680025		LNK CHN 1 X 3-1/2 OPNG 3/4 STK 60K

ITEM 10 IS ONLY NEEDED IF THE COMPRESSION DEAD END HAS A CLEVIS END FITTING INSTEAD OF AN OVAL END FITTING.

CU Function:  
 TL69 for 35kV & 46kV,  
 TG69 for 69kV thru 344kV,  
 T345 for 345kV & greater.

\*\* AFL/Alcoa 3310 (1.080-1.110) or PLP CGTS-0112 (1.107-1.146)

For correct CU:  
 substitute 5 for NYSEG,  
 6 for CMP or 9 for RG&E  
 in place of asterisk (C\*\_).



ASSOCIATED STANDARD:  
 TERMINAL DEAD ENDS  
 TENSIONS GREATER  
 THAN 10,000#

FOR OTHER WIRE SIZES:  
 REFER TO TJ-04-001 FOR COMPRESSION DEAD END ASSEMBLIES  
 AND TJ-04-003 FOR COMPRESSION TERMINAL PADS.

THIS IS A COMPUTER GENERATED DRAWING - DO NOT REVISE MANUALLY

Contact System Engineering - Transmission Section for the creation of new standards and CUs.

Drawing Scale: 1/2" = 1'



IUSA  
 TRANSMISSION  
 CONSTRUCTION  
 STANDARDS  
 MANUAL

TRANSMISSION SPECIFY DETAILS - SINGLE CIRCUIT  
 BUNDLED CONDUCTOR - 3 SINGLE INSULATOR STRINGS  
 TERMINAL DEAD END - 6 TERMINAL PADS  
 6 COMPRESSION DE ASSY - 3 YOKES - 3 SPACERS

ISSUE  
 0  
 DATE  
 12/13/2012

Drwn. By:	Date Dr.:	Checked By:	Date Ck.:	Approved By:	Date App.:
L.A. Best	12/21/2011	Bartczak/Becken/Shepard	11/15/2012	Barry R. Hart	12/13/2012

**TS-C2Y1T2-x**

Sheet 1

For use with class 52-3 & 52-5 disc insulators

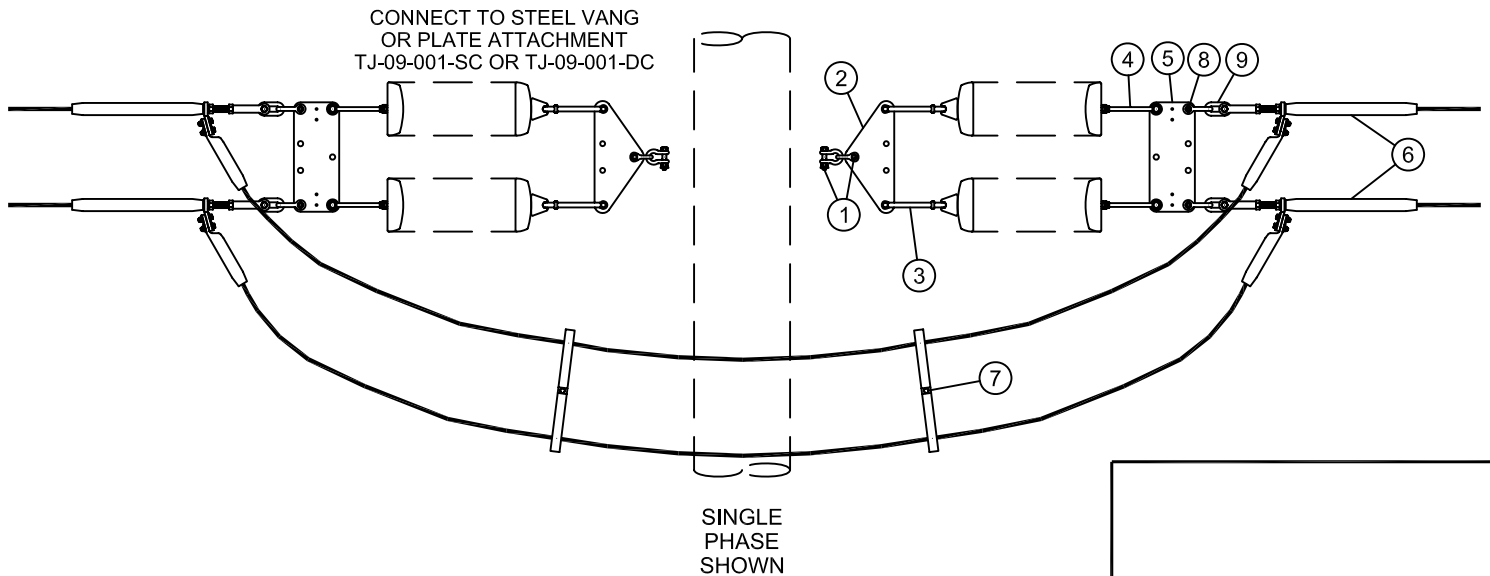
mark	-X	-F	-K		BILL OF MATERIAL			Type of CU: CNDO
ITEM NO.	QTY.	QTY.	QTY.	QTY.	UOM	NYSEG MID	CMP MID	CU: C*CT-TS-C3D2R1-(mark)
1	12	12	12		EA	1039220511	6000274326	SHCKL ANCH 3/4 BNK 1-1/16 OPNG
2	6	6	6		EA	1039620100		YOKE STL TRIANG 60K US
3	12	12	12		EA	1036427000		FTTNG CLV-Y BALL SM HL 30K 3/4 BNK
4	12	12	12		EA	1036428000		FTTNG CLV-Y SOC SM HL 30K 3/4 BNK
5	6	6	6		EA	1039617300		YOKE STL RECTANG 60K US
6	12				EA	1036346130		CDE ASSY AL SING TNG 1.108 DIA
6		12			EA	1036345156		CDE ASSY AL SING TNG 1.213 DIA
6			12		EA	1036345165		CDE ASSY AL SING TNG 1.302 DIA
7	6				EA	**		SPCR BNDL COND RIGID 18SPC
7		6			EA	1039232505		SPCR BNDL COND RIGID 18SPC 1.201-1.220
7			6		EA	1039232765		SPCR BNDL COND RIGID 18SPC 1.290-1.320
8	12	12	12		EA	1039220531		SHCKL ANCH 7/8 BNK 1-1/4 OPNG 60K
9*		12			EA	1036680025		LNK CHN 1 X 3-1/2 OPNG 3/4 STK 60K

ITEM 9 IS ONLY NEEDED IF THE COMPRESSION DEAD END HAS A CLEVIS END FITTING INSTEAD OF AN OVAL END FITTING.

CU Function:  
 TL69 for 35kV & 46kV,  
 TG69 for 69kV thru 344kV,  
 T345 for 345kV & greater.

\*\* AFL/Alcoa 3310 (1.080-1.110) or PLP CGTS-0112 (1.107-1.146)

For correct CU:  
 substitute 5 for NYSEG,  
 6 for CMP or 9 for RG&E  
 in place of asterisk (C\*\_).



FOR OTHER WIRE SIZES:  
 REFER TO TJ-04-001 FOR COMPRESSION DEAD END ASSEMBLIES.

THIS IS A COMPUTER GENERATED DRAWING - DO NOT REVISE MANUALLY

Contact System Engineering - Transmission Section for the creation of new standards and CUs.

Drawing Scale: 1" = 3'



IUSA  
 TRANSMISSION  
 CONSTRUCTION  
 STANDARDS  
 MANUAL

TRANSMISSION SPECIFY DETAILS - SINGLE CIRCUIT  
 BUNDLED CONDUCTOR - 6 DOUBLE INSULATOR STRINGS  
 TANGENT DEAD END  
 12 COMPRN DE ASSY - 6 TRI/RECT YOKES - 6 SPACERS

ISSUE  
 0  
 DATE  
 12/13/2012

Drwn. By: L.A. Best | Date Dr.: 12/20/2011 | Checked By: Bartczak/Becken/Shepard | Date Ck.: 11/15/2012 | Approved By: Barry R. Hart | Date App.: 12/13/2012

**TS-C3D2R1-x**

Sheet 1

For use with class 52-8 & 52-11 disc insulators

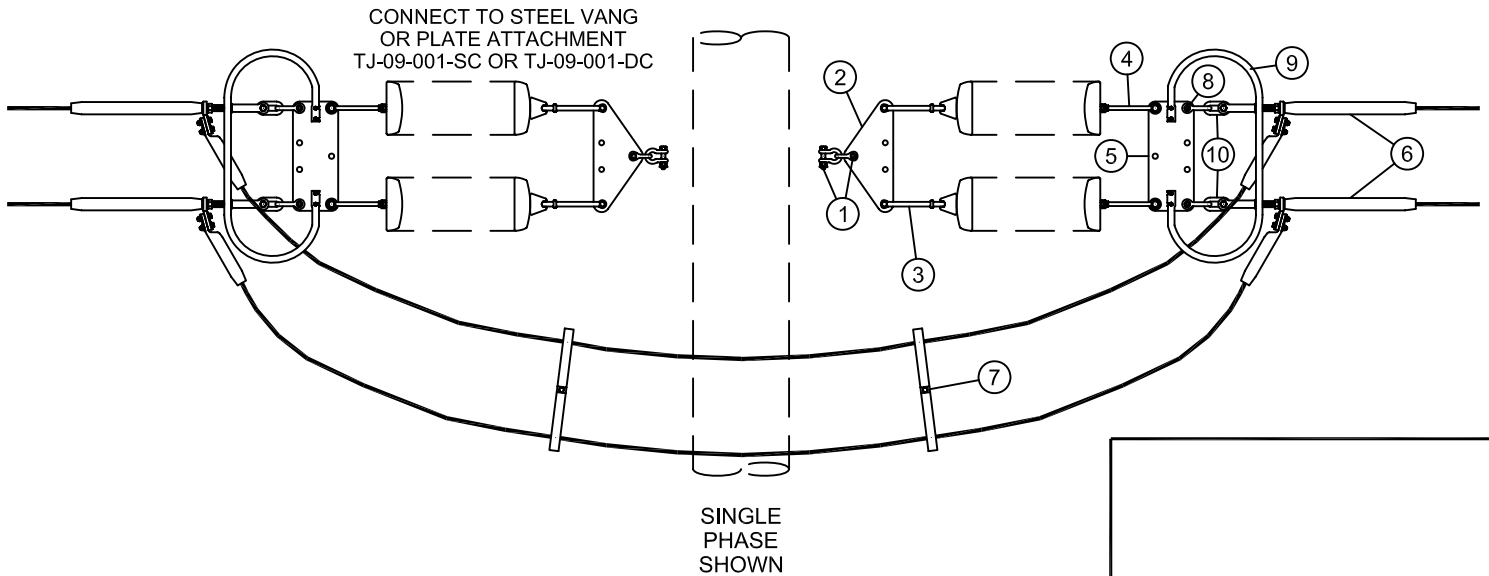
mark	-X	-F	-K		BILL OF MATERIAL			Type of CU: CNDO
ITEM NO.	QTY.	QTY.	QTY.	QTY.	UOM	NYSEG MID	CMP MID	CU: C*CT-TS-C3E2R1-(mark)
1	12	12	12		EA	1039220511	6000274326	SHCKL ANCH 3/4 BNK 1-1/16 OPNG
2	6	6	6		EA	1039620100		YOKE STL TRIANG 60K US
3	12	12	12		EA	1036446000		FTTNG CLV-Y BALL LG HL 50K
4	12	12	12		EA	1036487000		FTTNG CLV-Y SOC LG HL 50K
5	6	6	6		EA	1039617300		YOKE STL RECTANG 60K US
6	12				EA	1036346130		CLMP COMP DE 795 ACSR 26/7 VERT EYE
6		12			EA	1036345156		CLMP COMP DE 1033 ACSR 45/7 ADJ STL CLV
6			12		EA	1036345165		CLMP COMP DE 1192 ACSR 45/7 VERT EYE
7	6				EA	**		SPCR BNDL COND RIGID 18SPC
7		6			EA	1039232505		SPCR BNDL COND RIGID 18SPC 1.201-1.220
7			6		EA	1039232765		SPCR BNDL COND RIGID 18SPC 1.290-1.320
8	12	12	12		EA	1039220531		SHCKL ANCH 7/8 BNK 1-1/4 OPNG 60K
9	6	6	6		EA	1039051018		RING CORONA RCTNG 18X40 1-1/4 TBNG
10*		12			EA	1036680025		LNK CHN 1 X 3-1/2 OPNG 3/4 STK 60K

ITEM 10 IS ONLY NEEDED IF THE COMPRESSION DEAD END HAS A CLEVIS END FITTING INSTEAD OF AN OVAL END FITTING.

CU Function:  
 TL69 for 35kV & 46kV,  
 TG69 for 69kV thru 344kV,  
 T345 for 345kV & greater.

\*\* AFL/Alcoa 3310 (1.080-1.110) or PLP CGTS-0112 (1.107-1.146)

For correct CU:  
 substitute 5 for NYSEG,  
 6 for CMP or 9 for RG&E  
 in place of asterisk (C\*\_).



FOR OTHER WIRE SIZES:  
 REFER TO TJ-04-001 FOR COMPRESSION DEAD END ASSEMBLIES.

THIS IS A COMPUTER GENERATED DRAWING - DO NOT REVISE MANUALLY

Contact System Engineering - Transmission Section for the creation of new standards and CUs.

Drawing Scale: 1" = 3'



IUSA  
 TRANSMISSION  
 CONSTRUCTION  
 STANDARDS  
 MANUAL

TRANSMISSION SPECIFY DETAILS - SINGLE CIRCUIT  
 BUNDLED CONDUCTOR - 6 DOUBLE INSULATOR STRINGS  
 TANGENT DEAD END - CLASS 52-8 OR 52-11 INSULATORS  
 12 COMPRN DE ASSY - 6 TRI/RECT YOKES - 6 SPACERS

ISSUE  
 0  
 DATE  
 12/13/2012

Drwn. By: L.A. Best  
 Date Dr.: 2/7/2012  
 Checked By: Bartczak/Becken/Shepard  
 Date Ck.: 11/15/2012  
 Approved By: Barry R. Hart  
 Date App.: 12/13/2012

TS-C3E2R1-x

Sheet 1



For use with class 52-3 & 52-5 disc insulators

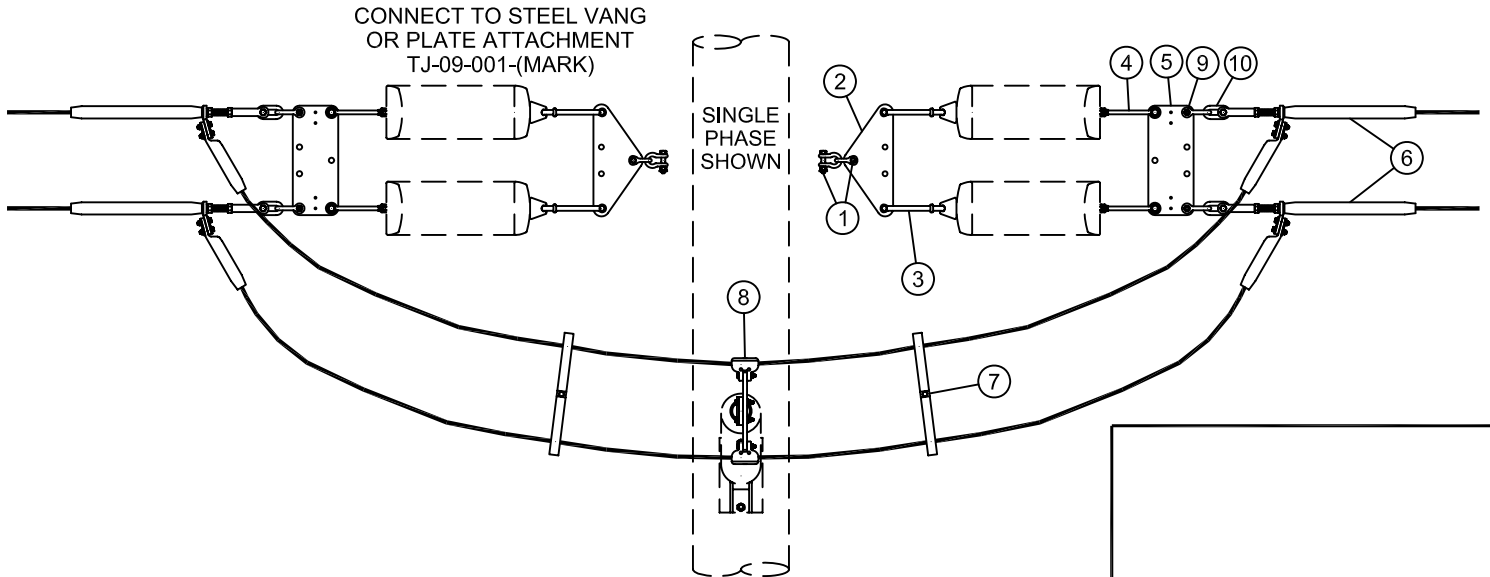
mark	-X	-F	-K		BILL OF MATERIAL			Type of CU: CNDO
ITEM NO.	QTY.	QTY.	QTY.	QTY.	UOM	NYSEG MID	CMP MID	CU: C*CT-TS-C3J1D2-(mark)
1	12	12	12		EA	1039220511	6000274326	SHCKL ANCH 3/4 BNK 1-1/16 OPNG
2	6	6	6		EA	1039620100		YOKE STL TRIANG 60K US
3	12	12	12		EA	1036427000		FTTNG CLV-Y BALL SM HL 30K 3/4 BNK
4	12	12	12		EA	1036428000		FTTNG CLV-Y SOC SM HL 30K 3/4 BNK
5	6	6	6		EA	1039617300		YOKE STL RECTANG 60K US
6	6				EA	1036346130		CDE ASSY AL SING TNG 1.108 DIA
6		6			EA	1036345156		CDE ASSY AL SING TNG 1.213 DIA
6			6		EA	1036345165		CDE ASSY AL SING TNG 1.302 DIA
7	6				EA	**		SPCR BNDL COND RIGID 18SPC
7		6			EA	1039232505		SPCR BNDL COND RIGID 18SPC 1.201-1.220
7			6		EA	1039232765		SPCR BNDL COND RIGID 18SPC 1.290-1.320
8	3	3	3		EA			CLMP DUAL JMPR 1.00-1.40 RNG
9	12	12	12		EA	1039220531		SHCKL ANCH 7/8 BNK 1-1/4 OPNG 60K
10*		12			EA	1036680025		LNK CHN 1 X 3-1/2 OPNG 3/4 STK 60K

ITEM 10 IS ONLY NEEDED IF THE COMPRESSION DEAD END HAS A CLEVIS END FITTING INSTEAD OF AN OVAL END FITTING.

CU Function:  
 TL69 for 35kV & 46kV,  
 TG69 for 69kV thru 344kV,  
 T345 for 345kV & greater.

\*\* AFL/Alcoa 3310 (1.080-1.110) or PLP CGTS-0112 (1.107-1.146)  
 \*\*\* Hubbell 271243001 or MacLean NPH3D-18-140 (RANGE 1.00-1.40)

For correct CU:  
 substitute 5 for NYSEG,  
 6 for CMP or 9 for RG&E  
 in place of asterisk (C\*\_).



FOR OTHER WIRE SIZES:  
 REFER TO TJ-04-001 FOR COMPRESSION DEAD END ASSEMBLIES.

THIS IS A COMPUTER GENERATED DRAWING - DO NOT REVISE MANUALLY

Contact System Engineering - Transmission Section for the creation of new standards and CUs.

Drawing Scale: 1" = 3'



IUSA  
 TRANSMISSION  
 CONSTRUCTION  
 STANDARDS  
 MANUAL

TRANSMISSION SPECIFY DETAILS - SINGLE CIRCUIT  
 BUNDLED CONDUCTOR - 6 DOUBLE INSULATOR STRINGS  
 DEAD END WITH JUMPER POST - 3 DUAL POST CLAMPS  
 12 COMPRN DE ASSY - 6 TRI/RECT YOKES - 6 SPACERS

ISSUE  
 0  
 DATE  
 12/13/2012

Drwn. By: L.A. Best | Date Dr.: 12/20/2011 | Checked By: Bartczak/Becken/Shepard | Date Ck.: 11/15/2012 | Approved By: Barry R. Hart | Date App.: 12/13/2012

TS-C3J1D2-x

Sheet 1

For use with class 52-3 & 52-5 disc insulators

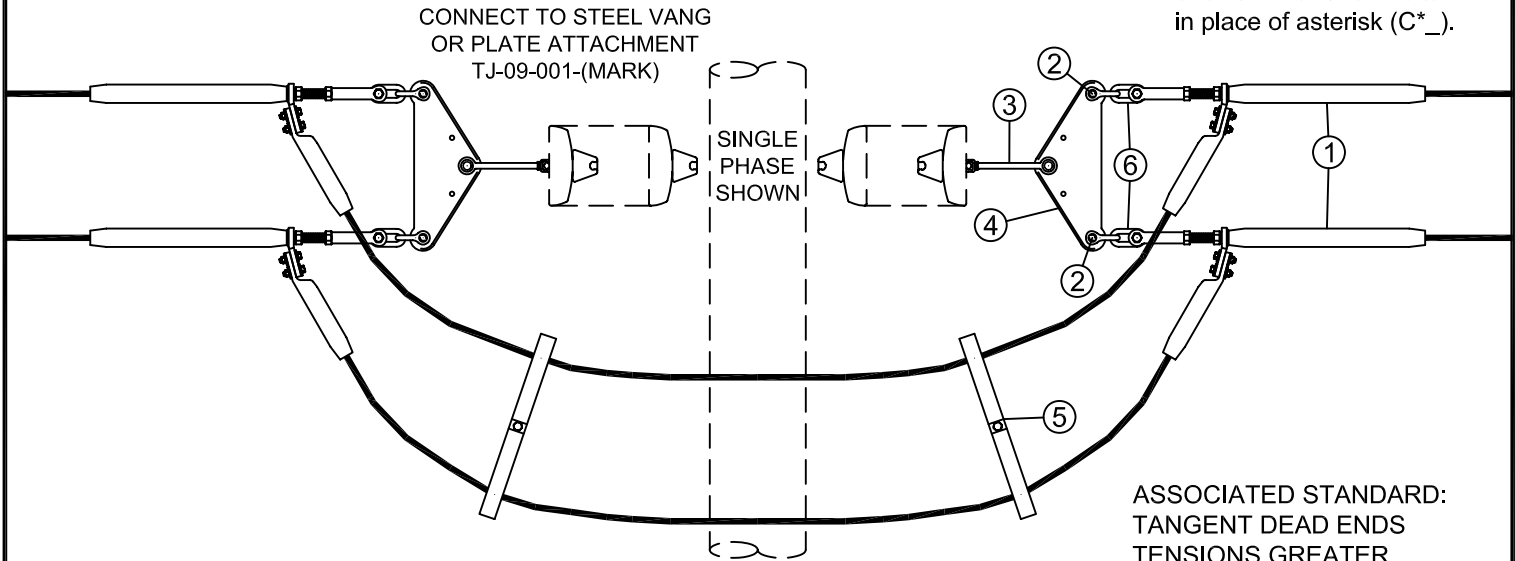
mark	-X	-F	-K		BILL OF MATERIAL			Type of CU: CNDO
ITEM NO.	QTY.	QTY.	QTY.	QTY.	UOM	NYSEG MID	CMP MID	CU: C*CT-TS-C3Y2R1-(mark)
1	12				EA	1036346130		CDE ASSY AL SING TNG 1.108 DIA
1		12			EA	1036345156		CDE ASSY AL SING TNG 1.213 DIA
1			12		EA	1036345165		CDE ASSY AL SING TNG 1.302 DIA
2	12	12	12		EA	1039220511	6000274326	SHCKL ANCH 3/4 BNK 1-1/16 OPNG
3	6	6	6		EA	1036428000		FTTNG CLV-Y SOC SM HL 30K 3/4 BNK
4	6	6	6		EA	1039600600		YOKE AL TRIANGLE 32K BETH C-0112-1
5	6				EA	**		SPCR BNDL COND RIGID 18SPC
5		6			EA	1039232505		SPCR BNDL COND RIGID 18SPC 1.201-1.220
5			6		EA	1039232765		SPCR BNDL COND RIGID 18SPC 1.290-1.320
6*		12			EA	1036680025		LNK CHN 1 X 3-1/2 OPNG 3/4 STK 60K

ITEM 6 IS ONLY NEEDED IF THE COMPRESSION DEAD END HAS A CLEVIS END FITTING INSTEAD OF AN OVAL END FITTING.

CU Function:  
 TL69 for 35kV & 46kV,  
 TG69 for 69kV thru 344kV,  
 T345 for 345kV & greater.

\*\* AFL/Alcoa 3310 (1.080-1.110) or PLP CGTS-0112 (1.107-1.146)

For correct CU:  
 substitute 5 for NYSEG,  
 6 for CMP or 9 for RG&E  
 in place of asterisk (C\*\_).



ASSOCIATED STANDARD:  
 TANGENT DEAD ENDS  
 TENSIONS GREATER  
 THAN 10,000#

FOR OTHER WIRE SIZES:  
 REFER TO TJ-04-001 FOR COMPRESSION DEAD END ASSEMBLIES.

THIS IS A COMPUTER GENERATED DRAWING - DO NOT REVISE MANUALLY

Contact System Engineering - Transmission Section for the creation of new standards and CUs.

Drawing Scale: 1/2" = 1'



IUSA  
 TRANSMISSION  
 CONSTRUCTION  
 STANDARDS  
 MANUAL

TRANSMISSION SPECIFY DETAILS - SINGLE CIRCUIT  
 BUNDLED CONDUCTOR - 6 SINGLE INSULATOR STRINGS  
 TANGENT DEAD END  
 12 COMPRN DE ASSY - 6 YOKES - 6 SPACERS

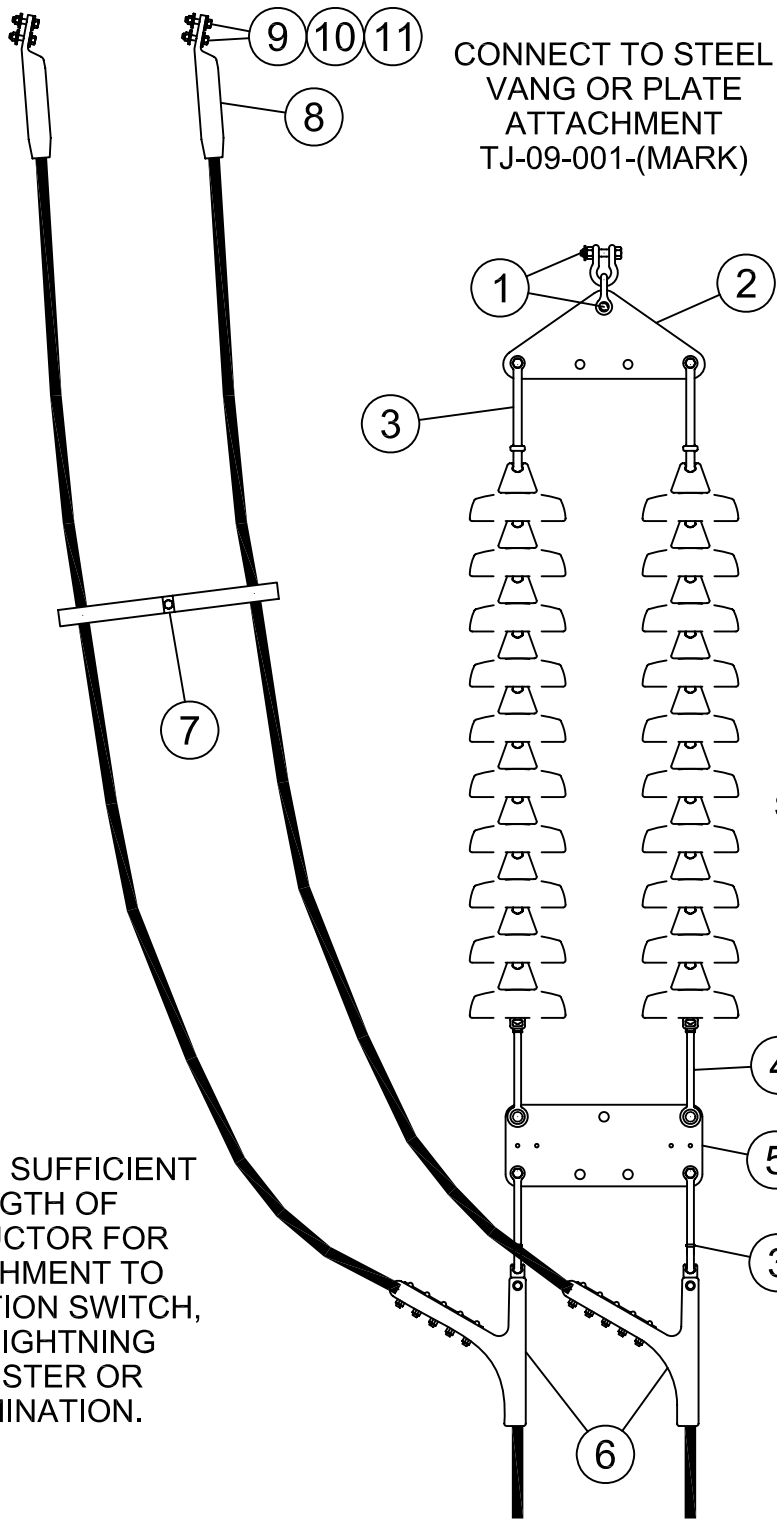
ISSUE  
 0  
 DATE  
 12/13/2012

Drwn. By:	Date Dr.:	Checked By:	Date Ck.:	Approved By:	Date App.:
L.A. Best	5/31/2011	Bartczak/Becken/Shepard	11/15/2012	Barry R. Hart	12/13/2012

**TS-C3Y2R1-x**

Sheet 1





CONNECT TO STEEL VANG OR PLATE ATTACHMENT TJ-09-001-(MARK)

SINGLE PHASE SHOWN

PROVIDE SUFFICIENT LENGTH OF CONDUCTOR FOR ATTACHMENT TO SUBSTATION SWITCH, BUS, LIGHTNING ARRESTER OR TERMINATION.

ASSOCIATED STANDARD:  
TERMINAL DEAD ENDS  
TENSIONS LESS THAN 10,000#

THIS IS A COMPUTER GENERATED DRAWING - DO NOT REVISE MANUALLY

Contact System Engineering - Transmission Section for the creation of new standards and CUs.

Drawing Scale: 1" = 20



IUSA  
TRANSMISSION  
CONSTRUCTION  
STANDARDS  
MANUAL

TRANSMISSION SPECIFY DETAILS - SINGLE CIRCUIT  
BUNDLED CONDUCTOR - 3 DOUBLE INSULATOR STRINGS  
TERMINAL DEAD END - 6 TERMINAL PADS  
6 STRAIN CLAMPS - 3 TRI/RECT YOKES - 3 SPACERS

ISSUE	0
DATE	12/13/2012

Drwn. By:	Date Dr.:	Checked By:	Date Ck.:	Approved By:	Date App.:
L.A. Best	11/2/2011	Bartczak/Becken/Shepard	12/5/2011	Barry R. Hart	12/13/2012

**TS-N2D1T2-x**

Sheet 1

For use with class 52-3 & 52-5 disc insulators

mark	-B	-X	-F	-K	BILL OF MATERIAL			Type of CU: CNDO
ITEM NO.	QTY.	QTY.	QTY.	QTY.	UOM	NYSEG MID	CMP MID	CU: C*CT-TS-N2D1T2-(mark)
1	6	6	6	6	EA	1039220511	6000274326	SHCKL ANCH 3/4 BNK 1-1/16 OPNG
2	3	3	3	3	EA	1039620100		YOKE STL TRIANG 60K US
3	12	12	12	12	EA	1036427000		FTTNG CLV-Y BALL SM HL 30K 3/4 BNK
4	6	6	6	6	EA	1036428000		FTTNG CLV-Y SOC SM HL 30K 3/4 BNK
5	3	3	3	3	EA	1039617300		YOKE STL RECTANG 60K US
6	6				EA	1036070086		CLMP BLT DE STRN AL 25K 0.46-0.96
6		6	6		EA	1036070130	6000111000	CLMP BLT DE STRN AL 30K 0.71-1.31
6				6	EA	1036080140	6000111000	CLMP BLT DE STRN AL 30K 0.90-1.40
7	3				EA		6000221540	SPCR BDL CND RIGID 18SP 0.792-0.831
7		3			EA	**		SPCR BDL CND RIGID 18SP
7			3		EA	1039232505		SPCR BDL CND RIGID 18SP 1.201-1.220
7				3	EA	1039232765		SPCR BDL CND RIGID 18SP 1.290-1.320
8	6				EA	1086050406		CONN COMP TERM AL 4H PAD 0.814
8		6			EA	860-504-10	6000117401	CONN COMP TERM AL 4H PAD 1.108
8			6		EA	1086050413		CONN COMP TERM AL 4H PAD 1.212
8				6	EA	1086050419		CONN COMP TERM AL 4H PAD 1.302
9	24	24	24	24	EA	1080002004		BOLT AL BUS BAR HEX HD HVY SERIES
10	24	24	24	24	EA	1080002110		NUT AL BUS BAR HEX HD HVY SERIES
11	48	48	48	48	EA	1080002710		WSHR AL FLAT 7/8 OD FOR 1/2 BOLT

CU Function: TL69 for 35kV & 46kV, TG69 for 69kV thru 344kV, T345 for 345kV and greater.

For correct CU: substitute 5 for NYSEG, 6 for CMP or 9 for RG&E in place of asterisk (C\*\_).

\*\* AFL/Alcoa 3310 (1.080-1.110) or PLP CGTS-0112 (1.107-1.146)

ASSOCIATED STANDARD:  
TERMINAL DEAD ENDS  
TENSIONS LESS THAN 10,000#

FOR OTHER WIRE SIZES: REFER TO TJ-03-001 FOR BOLTED STRAIN CLAMPS  
AND TJ-04-003 FOR COMPRESSION TERMINAL PADS.

THIS IS A COMPUTER GENERATED DRAWING - DO NOT REVISE MANUALLY

Contact System Engineering - Transmission Section for the creation of new standards and CUs.

Drawing Scale: N/A



IUSA  
TRANSMISSION  
CONSTRUCTION  
STANDARDS  
MANUAL

TRANSMISSION SPECIFY DETAILS - SINGLE CIRCUIT  
BUNDLED CONDUCTOR - 3 DOUBLE INSULATOR STRINGS  
TERMINAL DEAD END - 6 TERMINAL PADS  
6 STRAIN CLAMPS - 3 TRI/RECT YOKES - 3 SPACERS

ISSUE  
0  
DATE  
12/13/2012

Drwn. By: L.A. Best | Date Dr.: 11/2/2011 | Checked By: Bartczak/Becken/Shepard | Date Ck.: 12/5/2011 | Approved By: Barry R. Hart | Date App.: 12/13/2012

**TS-N2D1T2-x**

Sheet 2

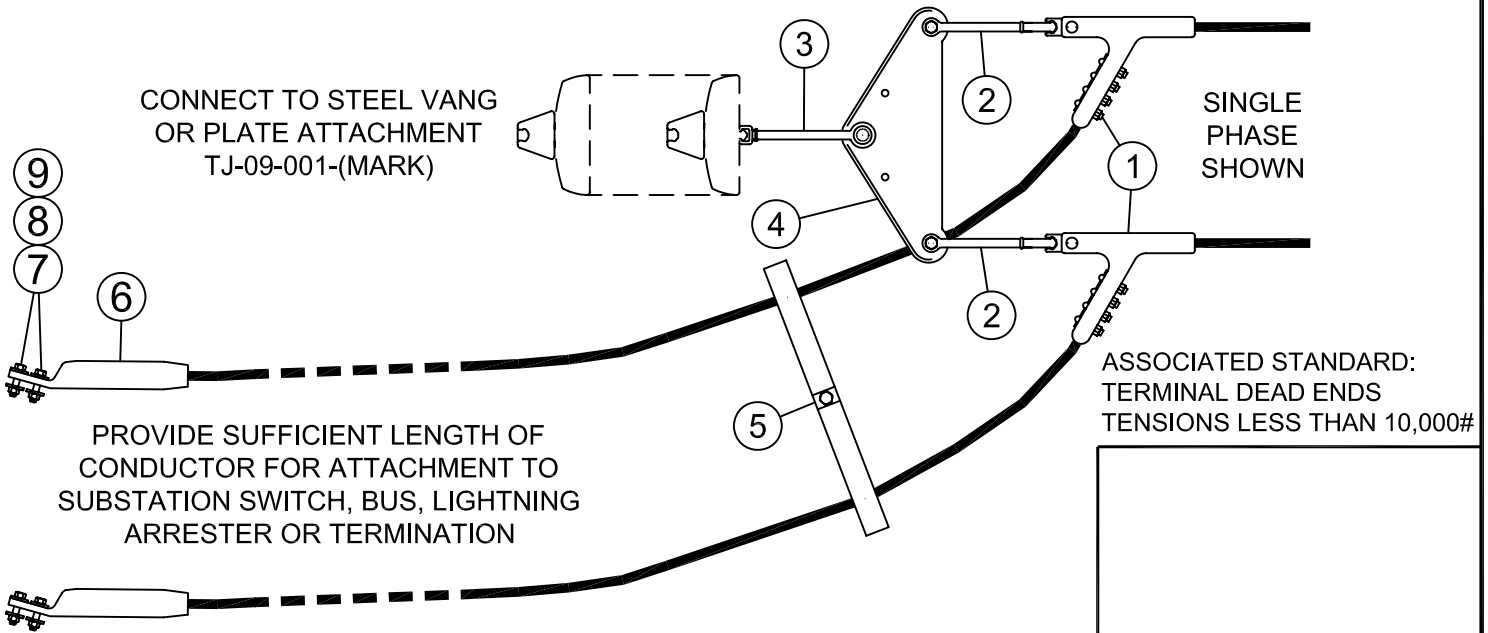
For use with class 52-3 & 52-5 disc insulators

mark	-B	-X	-F	-K	BILL OF MATERIAL			Type of CU: CNDO
ITEM NO.	QTY.	QTY.	QTY.	QTY.	UOM	NYSEG MID	CMP MID	CU: C*CT-TS-N2Y1T2-(mark)
1	6				EA	1036070086	6000110976	CLMP BLT DE STRN AL 25K 0.46-0.96
1		6	6		EA	1036070130		CLMP BLT DE STRN AL 30K 0.71-1.31
1				6	EA	1036080140		CLMP BLT DE STRN AL 30K 0.90-1.40
2	6	6	6	6	EA	1036427000	6000272910	FTTNG CLV-Y BALL SM HL 30K 3/4 BNK
3	3	3	3	3	EA	1036428000		FTTNG CLV-Y SOC SM HL 30K 3/4 BNK
4	3	3	3	3	EA	1039600600		YOKE AL TRIANGLE 32K BETH C-0112-1
5	3				EA		6000221540	SPCR BNDL COND RIGID 18SPC 0.809-0.831
5		3			EA	**		SPCR BNDL COND RIGID 18SPC
5			3		EA	1039232505		SPCR BNDL COND RIGID 18SPC 1.201-1.220
5				3	EA	1039232765		SPCR BNDL COND RIGID 18SPC 1.290-1.320
6	6				EA	1086050406		CONN AL COMP TERM 4H PAD 0.814 DIA
6		6			EA	860-504-10	6000117401	CONN AL COMP TERM 4H PAD 1.108 DIA
6			6		EA	1086050413		CONN AL COMP TERM 4H PAD 1.212 DIA
6				6	EA	1086050419		CONN AL COMP TERM 4H PAD 1.302 DIA
7	24	24	24	24	EA	1080002004		BOLT AL BUS BAR HEX HD HVY SERIES
8	24	24	24	24	EA	1080002110		NUT AL BUS BAR HEX HD HVY SERIES
9	48	48	48	48	EA	1080002710		WSHR AL FLT 7/8 O.D. FOR 1/2

CU Function: TL69 for 35kV & 46kV, TG69 for 69kV thru 344kV, T345 for 345kV and greater.

For correct CU: substitute 5 for NYSEG, 6 for CMP or 9 for RG&E in place of asterisk (C\*\_).

\*\* AFL/Alcoa 3310 (1.080-1.110) or PLP CGTS-0112 (1.107-1.146)



FOR OTHER WIRE SIZES: REFER TO TJ-03-001 FOR BOLTED STRAIN CLAMPS AND TJ-04-003 FOR COMPRESSION TERMINAL PADS.

THIS IS A COMPUTER GENERATED DRAWING - DO NOT REVISE MANUALLY

Contact System Engineering - Transmission Section for the creation of new standards and CUs.

Drawing Scale: 3/4" = 1'



IUSA  
TRANSMISSION  
CONSTRUCTION  
STANDARDS  
MANUAL

TRANSMISSION SPECIFY DETAILS - SINGLE CIRCUIT  
BUNDLED CONDUCTOR - 3 SINGLE INSULATOR STRINGS  
TERMINAL DEAD END - 6 TERMINAL PADS  
6 BOLTED STRAIN CLAMPS - 3 YOKES - 3 SPACERS

ISSUE  
0  
DATE  
12/13/2012

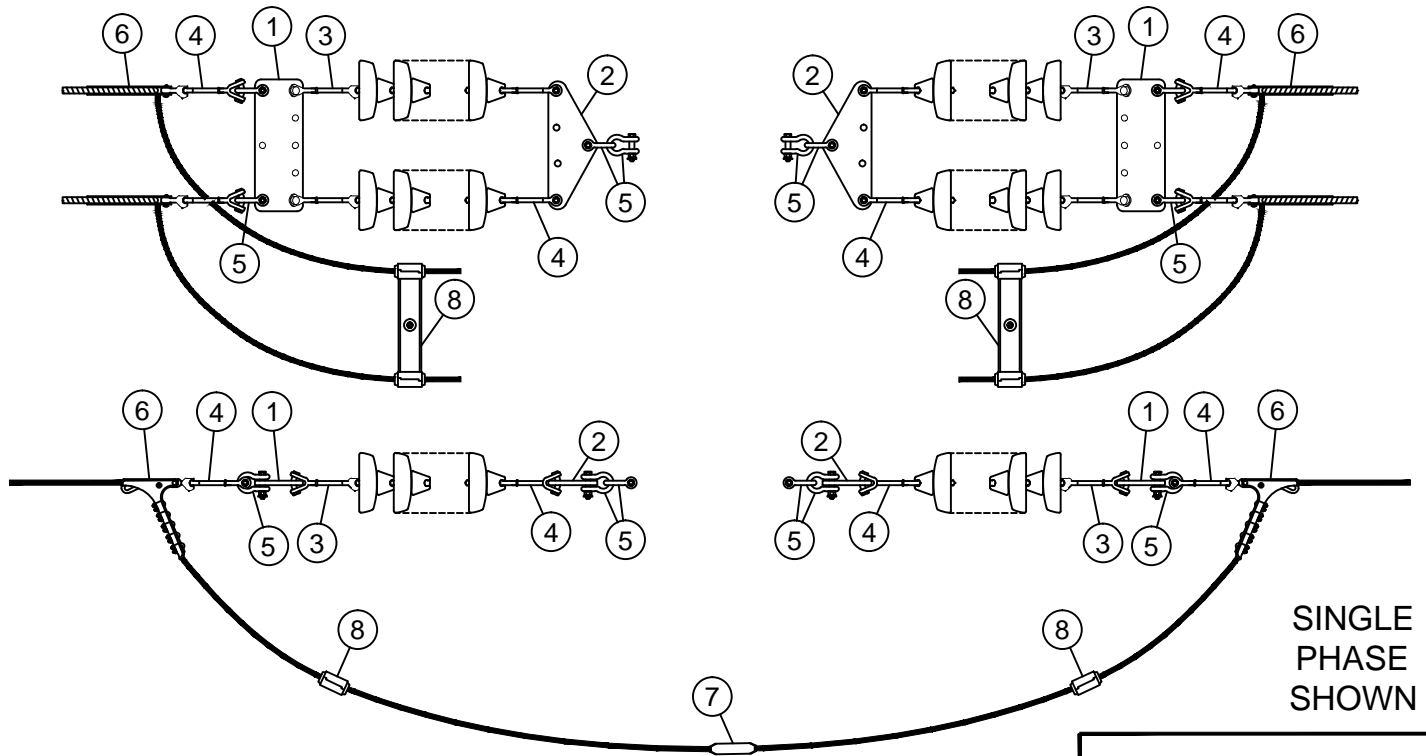
Drwn. By: L.A. Best | Date Dr.: 12/21/2011 | Checked By: Bartczak/Becken/Shepard | Date Ck.: 11/15/2012 | Approved By: Barry R. Hart | Date App.: 12/13/2012

TS-N2Y1T2-x

Sheet 1

**BILL OF MATERIAL - ALL ASSEMBLIES (Type of CU: CNDO)**

MARK	-J 795 45/7	-B 477 18/1	-X 795 26/7	-F 1033 45/7	-K 1192 45/7	UOM	IUSA MID	CU: C*CT-TS-N3D2L2-(MARK)
ITEM NO.	QTY.	QTY.	QTY.	QTY.	QTY.			
1	6	6	6	6	6	EA	6000274134	YOKE STL RECTANGULAR 60K
2	6	6	6	6	6	EA	6000274132	YOKE STL TRIANGULAR 80K
3	12	12	12	12	12	EA	6000272898	FITTING CLEV-Y SCKT HL 30K BNK
4	24	24	24	24	24	EA	6000272910	FITTING CLEV-Y BALL HL 30K BNK
5	24	24	24	24	24	EA	1039220531	SHCKL ANCH 7/8 BNK 1-1/4 OPG
6		12				EA	6000110984	CLMP STRN AL 23K 0.46-0.86
6	12		12	12	12	EA	6000111000	CLMP STRN AL 30K 0.71-1.31
7		6				EA	6000580044	SPLC LOOP 0.518 DIA.
7	6		6			EA	1039245035	SPLC LOOP 1.063-1.108 DIA.
7				6		EA	1039245055	SPLC LOOP 1.212 DIA.
7					6	EA	1039245065	SPLC LOOP 1.302 DIA.
8		6				EA	6000221540	SPCR BNDL COND RIGID 18SPC 0.792-0.831
8	6		6			EA	6000221550	SPCR BNDL COND RIGID 18SPC 1.108
8				6		EA	6000221560	SPCR BNDL COND RIGID 18SPC 1.212
8					6	EA	6000221570	SPCR BNDL COND RIGID 18SPC 1.302



CU FUNCTION: TL69 FOR 35KV & 46KV, TG69 FOR 69KV THRU 344 KV, T345 FOR 345KV & GREATER

FOR CORRECT CU: SUBSTITUTE 5 FOR NYSEG, 6 FOR CMP OR 9 FOR RG&E IN PLACE OF  
ASTERISK (C\*\_)

NOTE A: FOR OTHER WIRE SIZES: REFER TO TJ-01-001 THRU TJ-01-003 FOR SUSPENSION CLAMPS  
AND TJ-05-001 THRU TJ-05-003 FOR PREFORMED ARMOR RODS

NOTE B: FOR NESC HEAVY TENSIONS OF LESS THAN 10,000 LBS. PER SUBCONDUCTOR. FOR NESC  
HEAVY TENSIONS OF 10,000 LBS. OR GREATER USE COMPRESSION DEAD END ASSEMBLIES.

**THIS IS A COMPUTER GENERATED DRAWING - DO NOT REVISE MANUALLY**

Contact Engineering Standards - Transmission Section for the creation of new standards and CUs.

Drawing Scale: 1" = 30"



**TRANSMISSION  
CONSTRUCTION  
STANDARDS  
MANUAL**

**TRANSMISSION SPECIFY DETAILS**  
 SINGLE CIRCUIT - BUNDLED CONDUCTOR  
 6 DOUBLE INSULATOR STRINGS - DEAD END  
 12 STRAIN CLAMPS - 6 LOOP SPLICES - 12 YOKE PLATES

REVISION
00
DATE
5/21/2015

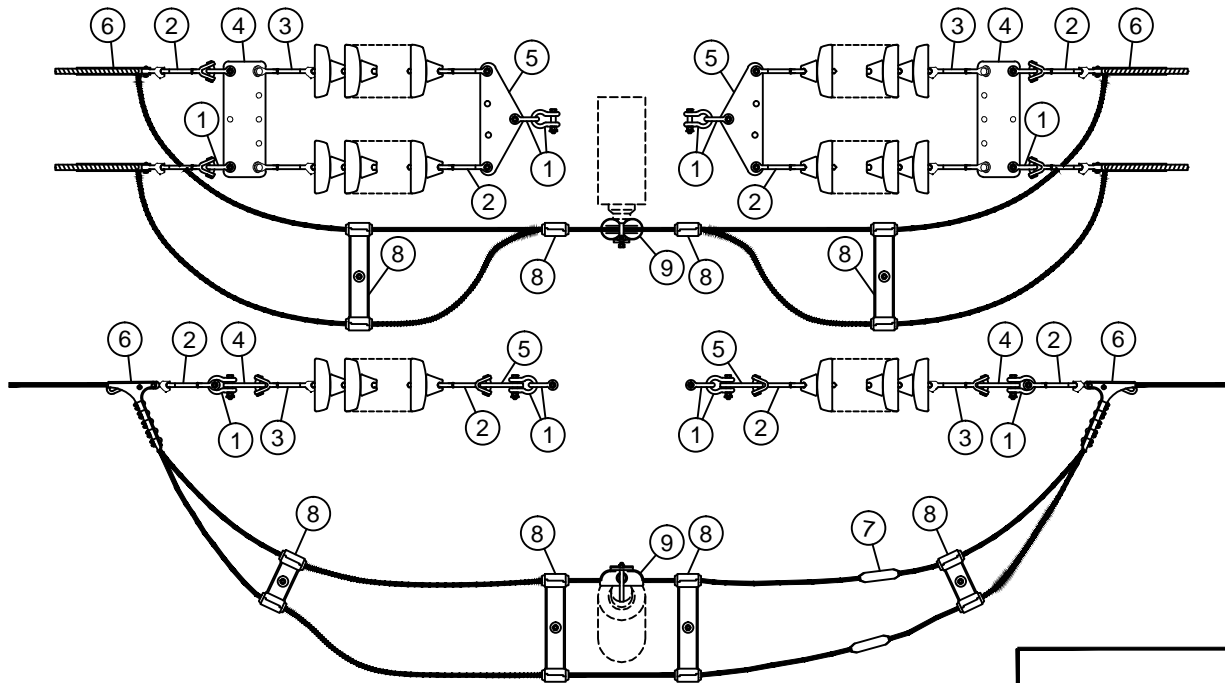
Drwn. By:	Date Dr.:	Checked By:	Date Ck.:	Approved By:	Date App.:
B. Franklin	8/28/2013	Becken/Hart	12/24/2014	Barry R. Hart	12/24/2014

**TM2.23.TS-N3D2L2-X**

Sheet 1

**BILL OF MATERIAL - ALL ASSEMBLIES (Type of CU: CNDO)**

MARK	-J 795 45/7	-B 477 18/1	-X 795 26/7	-F 1033 45/7	-K 1192 45/7	UOM	IUSA MID	CU: C*CT-TS-N3D2P1-(MARK)
ITEM NO.	QTY.	QTY.	QTY.	QTY.	QTY.			
1	6	6	6	6	6	EA	6000274134	YOKE STL RECTANGULAR 60K
2	6	6	6	6	6	EA	6000274132	YOKE STL TRIANGULAR 80K
3	12	12	12	12	12	EA	6000272898	FITTING CLEV-Y SCKT HL 30K BNK
4	24	24	24	24	24	EA	6000272910	FITTING CLEV-Y BALL HL 30K BNK
5	24	24	24	24	24	EA	1039220531	SHCKL ANCH 7/8 BNK 1-1/4 OPG
6		12				EA	6000110984	CLMP STRN AL 23K 0.46-0.86
6	12		12	12	12	EA	6000111000	CLMP STRN AL 30K 0.71-1.31
7		6				EA	6000580044	SPLC LOOP 0.518 DIA.
7	6		6			EA	1039245035	SPLC LOOP 1.063-1.108 DIA.
7				6		EA	1039245055	SPLC LOOP 1.212 DIA.
7					6	EA	1039245065	SPLC LOOP 1.302 DIA.
8		12				EA	6000221540	SPCR BNDL COND RIGID 18SPC 0.792-0.831
8	12		12			EA	6000221550	SPCR BNDL COND RIGID 18SPC 1.108
8				12		EA	6000221560	SPCR BNDL COND RIGID 18SPC 1.212
8					12	EA	6000221570	SPCR BNDL COND RIGID 18SPC 1.302
9		3				EA	1036160106	CLMP BLT POST 0.70-1.06 TGNT
9	3		3	3	3	EA	1036160150	CLMP BLT POST 1.00-1.50 TGNT



**SINGLE  
PHASE  
SHOWN**

CU FUNCTION: TL69 FOR 35KV & 46KV, TG69 FOR 69KV THRU 344 KV, T345 FOR 345KV & GREATER

FOR CORRECT CU: SUBSTITUTE 5 FOR NYSEG, 6 FOR CMP OR 9 FOR RG&E IN PLACE OF  
ASTERISK (C\*\_)

NOTE A: FOR OTHER WIRE SIZES: REFER TO TJ-01-001 THRU TJ-01-003 FOR SUSPENSION CLAMPS  
AND TJ-05-001 THRU TJ-05-003 FOR PREFORMED ARMOR RODS

NOTE B: FOR NESC HEAVY TENSIONS OF LESS THAN 10,000 LBS. PER SUBCONDUCTOR. FOR NESC  
HEAVY TENSIONS OF 10,000 LBS. OR GREATER USE COMPRESSION DEAD END ASSEMBLIES.

**THIS IS A COMPUTER GENERATED DRAWING - DO NOT REVISE MANUALLY**

Contact Engineering Standards - Transmission Section for the creation of new standards and CUs.

Drawing Scale: 1" = 30"



**TRANSMISSION  
CONSTRUCTION  
STANDARDS  
MANUAL**

**TRANSMISSION SPECIFY DETAILS**  
SINGLE CIRCUIT - BUNDLED CONDUCTOR  
6 DOUBLE INSULATOR STRINGS - DEAD END  
12 STRAIN CLAMPS - 3 POST CLAMPS - 12 YOKE PLATES

REVISION
00
DATE
5/21/2015

Drwn. By:	Date Dr.:
B. Franklin	8/29/2013

Checked By:
Becken/Hart

Date Ck.:
12/24/2014

Approved By:
Barry R. Hart

Date App.:
12/24/2014

**TM2.23.TS-N3D2P1-X**

Sheet 1

For use with class 52-3 & 52-5 disc insulators

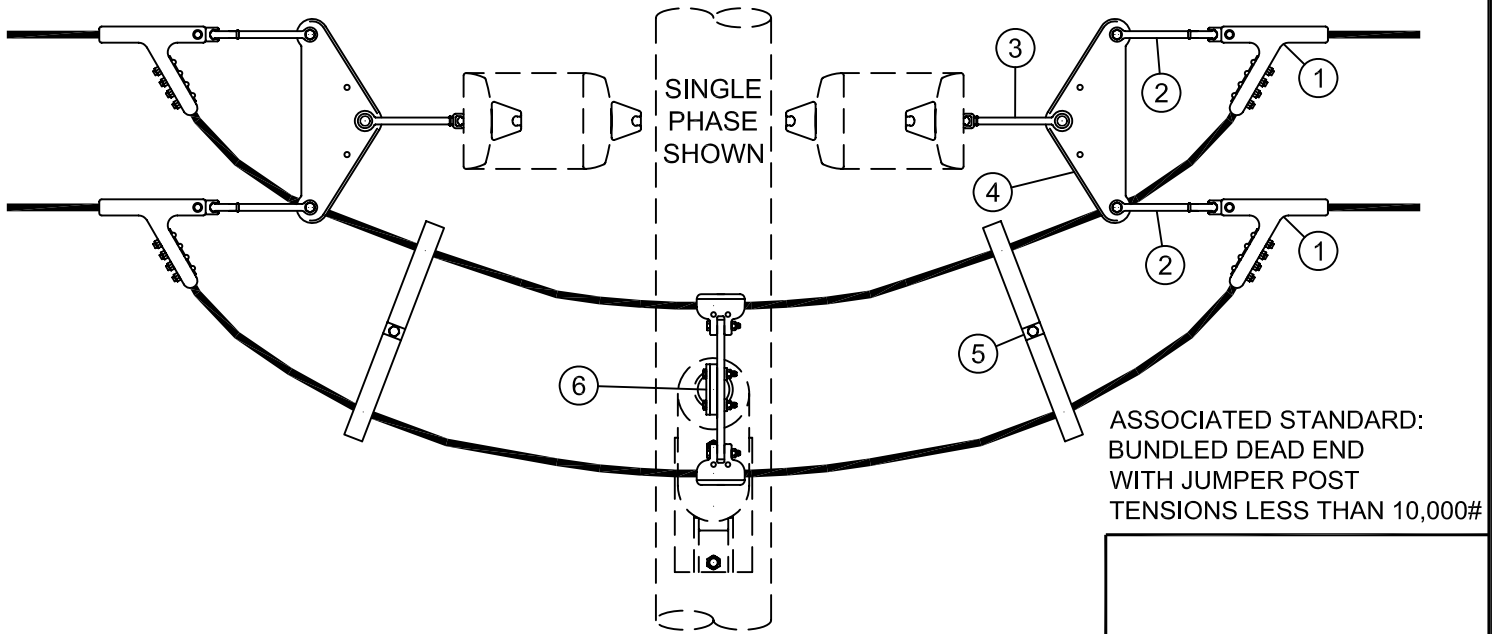
mark	-B	-X	-F	-K	BILL OF MATERIAL			Type of CU: CNDO
ITEM NO.	QTY.	QTY.	QTY.	QTY.	UOM	NYSEG MID	CMP MID	CU: C*CT-TS-N3J1Y2-(mark)
1	12				EA	1036070086	6000110976	CLMP BLT DE STRN AL 25K 0.46-0.96
1		12	12		EA	1036070130		CLMP BLT DE STRN AL 30K 0.71-1.31
1				12	EA	1036080140		CLMP BLT DE STRN AL 30K 0.90-1.40
2	12	12	12	12	EA	1036427000	6000272910	FTTNG CLV-Y BALL SM HL 30K 3/4 BNK
3	6	6	6	6	EA	1036428000		FTTNG CLV-Y SOC SM HL 30K 3/4 BNK
4	6	6	6	6	EA	1039600600		YOKE AL TRIANGLE 32K BETH C-0112-1
5	6						6000221540	SPCR BNDL COND RIGID 18SPC 0.809-0.831
5		6			EA	**		SPCR BNDL COND RIGID 18SPC
5			6		EA	1039232505		SPCR BNDL COND RIGID 18SPC 1.201-1.220
5				6	EA	1039232765		SPCR BNDL COND RIGID 18SPC 1.290-1.320
6	3							CLMP DUAL JMPR 0.80-1.00 RNG
6		3	3	3	EA	***		CLMP DUAL JMPR 1.00-1.40 RNG

CU Function: TL69 for 35kV & 46kV, TG69 for 69kV thru 344kV, T345 for 345kV and greater.

For correct CU: substitute 5 for NYSEG, 6 for CMP or 9 for RG&E in place of asterisk (C\*\_).

\*\* AFL/Alcoa 3310 (1.080-1.110) or PLP CGTS-0112 (1.107-1.146)

\*\*\* Hubbell 271243001 or MacLean NPH3D-18-140 (RANGE 1.00-1.40)



FOR OTHER WIRE SIZES: REFER TO TJ-03-001 FOR BOLTED STRAIN CLAMPS.

THIS IS A COMPUTER GENERATED DRAWING - DO NOT REVISE MANUALLY

Contact System Engineering - Transmission Section for the creation of new standards and CUs.

Drawing Scale: 1" = 20



IUSA  
TRANSMISSION  
CONSTRUCTION  
STANDARDS  
MANUAL

TRANSMISSION SPECIFY DETAILS  
SINGLE CIRCUIT - BUNDLED CONDUCTOR  
6 SINGLE INSULATOR STRINGS - 3 JUMPER POSTS  
12 STRAIN CLAMPS - 3 DUAL POST CLAMPS - 6 YOKES

ISSUE  
0  
DATE  
12/13/2012

Drwn. By: L.A. Best | Date Dr.: 12/19/2011 | Checked By: Bartczak/Becken/Shepard | Date Ck.: 11/15/2012 | Approved By: Barry R. Hart | Date App.: 12/13/2012

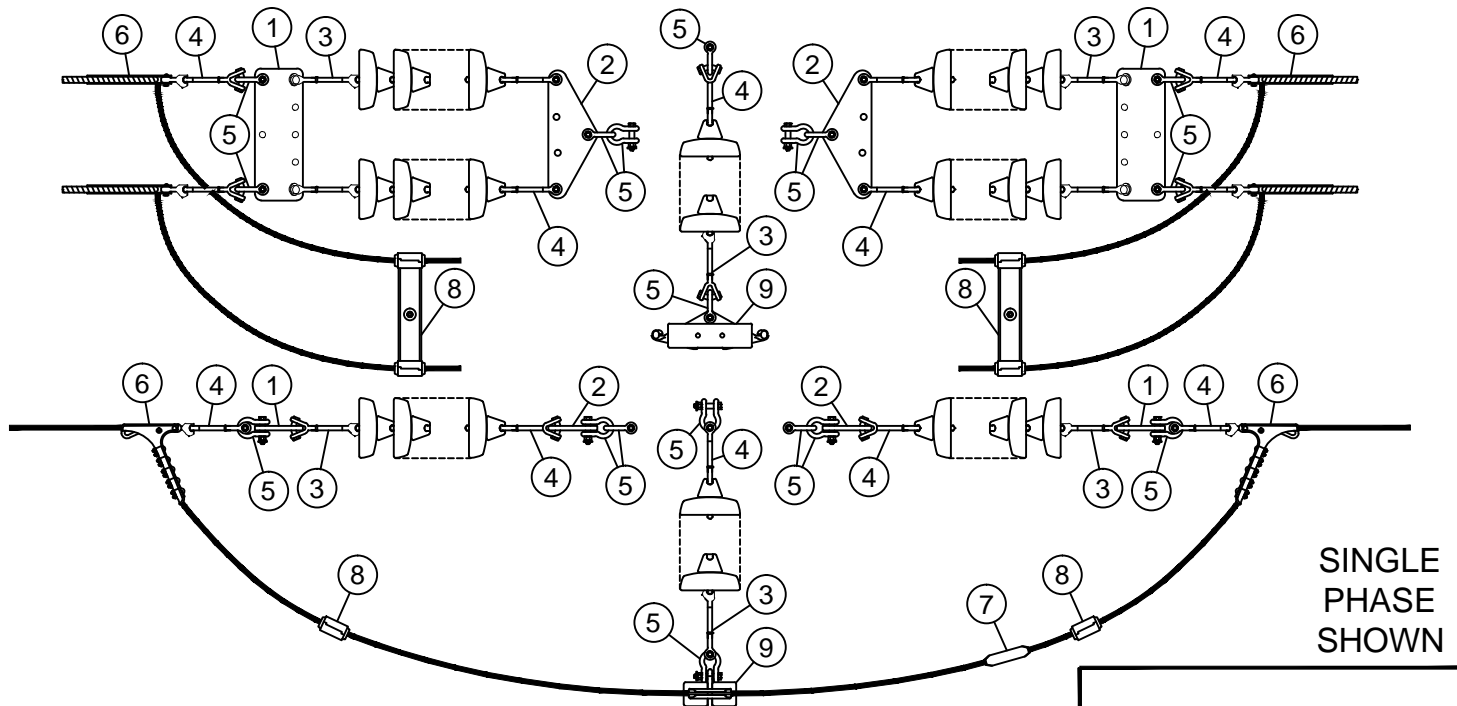
TS-N3J1Y2-x

Sheet 1



**BILL OF MATERIAL - ALL ASSEMBLIES (Type of CU: CNDO)**

MARK	-J 795 45/7	-B 477 18/1	-X 795 26/7	-F 1033 45/7	-K 1192 45/7	UOM	IUSA MID	CU: C*CT-TS-N3S2D2-(MARK)
ITEM NO.	QTY.	QTY.	QTY.	QTY.	QTY.			
1	6	6	6	6	6	EA	6000274134	YOKE STL RECTANGULAR 60K
2	6	6	6	6	6	EA	6000274132	YOKE STL TRIANGULAR 80K
3	15	15	15	15	15	EA	6000272898	FITTING CLEV-Y SCKT HL 30K BNK
4	27	27	27	27	27	EA	6000272910	FITTING CLEV-Y BALL HL 30K BNK
5	30	30	30	30	30	EA	1039220531	SHCKL ANCH 7/8 BNK 1-1/4 OPG
6		12				EA	6000110984	CLMP STRN AL 23K 0.46-0.86
6	12		12	12	12	EA	6000111000	CLMP STRN AL 30K 0.71-1.31
7		6				EA	6000580044	SPLC LOOP 0.518 DIA.
7	6		6			EA	1039245035	SPLC LOOP 1.063-1.108 DIA.
7				6		EA	1039245055	SPLC LOOP 1.212 DIA.
7					6	EA	1039245065	SPLC LOOP 1.302 DIA.
8		6				EA	6000221540	SPCR BNDL COND RIGID 18SPC 0.792-0.831
8	6		6			EA	6000221550	SPCR BNDL COND RIGID 18SPC 1.108
8				6		EA	6000221560	SPCR BNDL COND RIGID 18SPC 1.212
8					6	EA	6000221570	SPCR BNDL COND RIGID 18SPC 1.302
9	3	3	3			EA	6000274077	YOKE JUMPER 0.974-1.259 DIA. W 75 LB WT
9				3	3	EA	6000274078	YOKE JUMPER 1.10-1.65 DIA. W 75 LB WT



CU FUNCTION: TL69 FOR 35KV & 46KV, TG69 FOR 69KV THRU 344 KV, T345 FOR 345KV & GREATER

FOR CORRECT CU: SUBSTITUTE 5 FOR NYSEG, 6 FOR CMP OR 9 FOR RG&E IN PLACE OF ASTERISK (C\*\_)

NOTE A: FOR OTHER WIRE SIZES: REFER TO TJ-01-001 THRU TJ-01-003 FOR SUSPENSION CLAMPS AND TJ-05-001 THRU TJ-05-003 FOR PREFORMED ARMOR RODS

NOTE B: FOR NESC HEAVY TENSIONS OF LESS THAN 10,000 LBS. PER SUBCONDUCTOR. FOR NESC HEAVY TENSIONS OF 10,000 LBS. OR GREATER USE COMPRESSION DEAD END ASSEMBLIES.

THIS IS A COMPUTER GENERATED DRAWING - DO NOT REVISE MANUALLY

Contact Engineering Standards - Transmission Section for the creation of new standards and CUs.

Drawing Scale: 1" = 30"



**TRANSMISSION  
CONSTRUCTION  
STANDARDS  
MANUAL**

**TRANSMISSION SPECIFY DETAILS**  
 SINGLE CIRCUIT - BUNDLED CONDUCTOR  
 6 DOUBLE INSULATOR STRINGS - 3 IDLER STRINGS - DEAD END  
 12 STRAIN CLAMPS - 3 JUMPER YOKEs - 12 YOKE PLATES

REVISION
00
DATE
5/21/2015

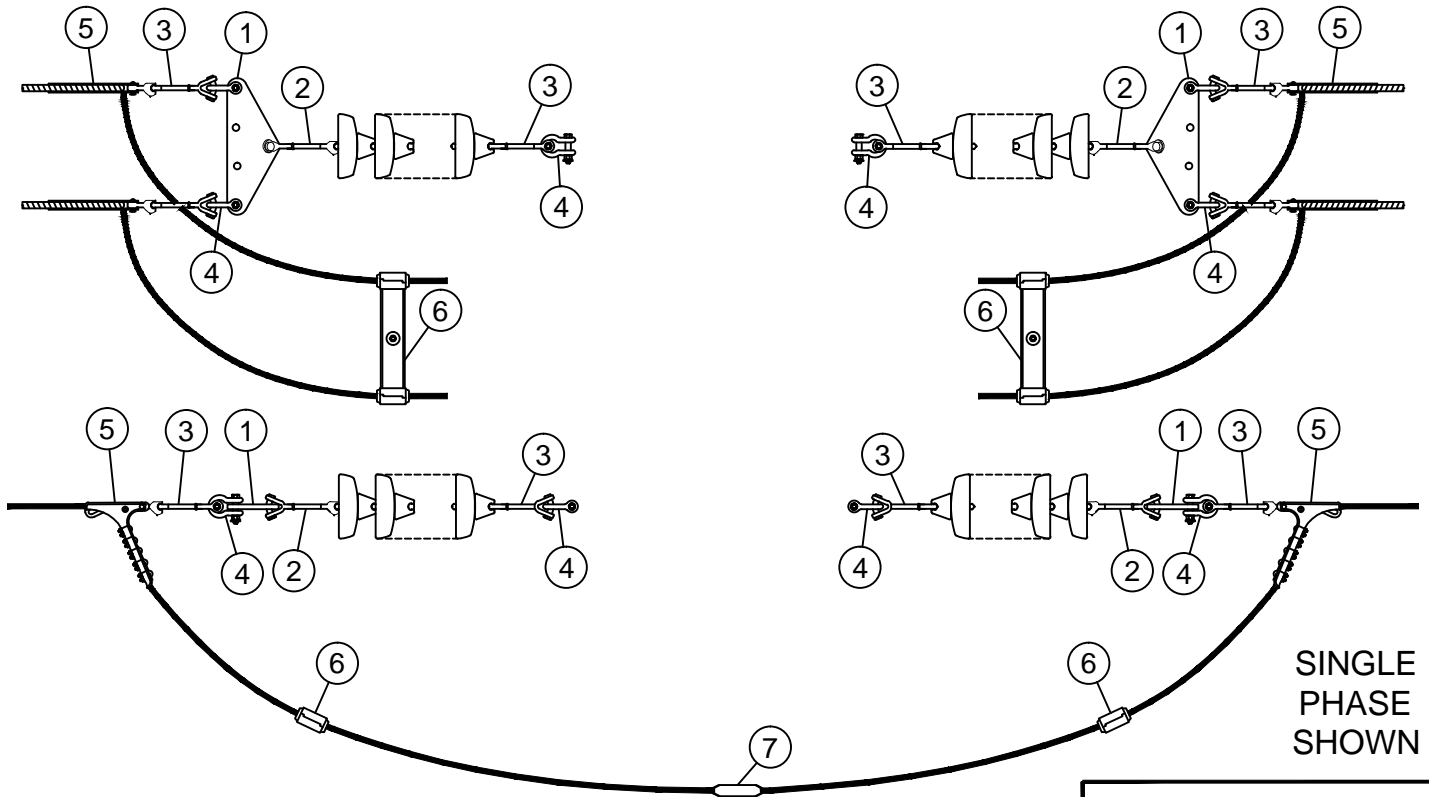
Drwn. By:	Date Dr.:	Checked By:	Date Ck.:	Approved By:	Date App.:
B. Franklin	8/28/2013	Becken/Hart	12/24/2014	Barry R. Hart	12/24/2014

**TM2.23.TS-N3S2D2-X**

Sheet 1

**BILL OF MATERIAL - ALL ASSEMBLIES (Type of CU: CNDO)**

ITEM NO.	QTY. -I 795 45/7	QTY. -B 477 18/1	QTY. -X 795 26/7	QTY. -F 1033 45/7	QTY. -K 1192 45/7	UOM	IUSA MID	CU: C*CT-TS-N3Y2L2
1	6	6	6	6	6	EA	6000274132	YOKE STL TRIANGULAR 80K
2	6	6	6	6	6	EA	6000272898	FITTING CLEV-Y SCKT HL 30K BNK
3	18	18	18	18	18	EA	6000272910	FITTING CLEV-Y BALL HL 30K BNK
4	18	18	18	18	18	EA	1039220531	SHCKL ANCH 7/8 BNK 1-1/4 OPG
5		12				EA	6000110984	CLMP STRN AL 23K 0.46-0.86
5	12		12	12	12	EA	6000111000	CLMP STRN AL 30K 0.71-1.31
6		6				EA	6000221540	SPCR BNDL COND RIGID 18SPC 0.792-0.831
6	6		6			EA	6000221550	SPCR BNDL COND RIGID 18SPC 1.108
6				6		EA	6000221560	SPCR BNDL COND RIGID 18SPC 1.212
6					6	EA	6000221570	SPCR BNDL COND RIGID 18SPC 1.302
7		3				EA	6000580044	SPLC LOOP 0.518 DIA.
7	3		3			EA	1039245035	SPLC LOOP 1.063-1.108 DIA.
7				3		EA	1039245055	SPLC LOOP 1.212 DIA.
7					3	EA	1039245065	SPLC LOOP 1.302 DIA.



**SINGLE  
PHASE  
SHOWN**

CU FUNCTION: TL69 FOR 35KV & 46KV, TG69 FOR 69KV THRU 344 KV, T345 FOR 345KV & GREATER

FOR CORRECT CU: SUBSTITUTE 5 FOR NYSEG, 6 FOR CMP OR 9 FOR RG&E IN PLACE OF ASTERISK (C\*\_)

FOR OTHER WIRE SIZES: REFER TO TJ-01-001 THRU TJ-01-003 FOR SUSPENSION CLAMPS AND TJ-05-001 THRU TJ-05-003 FOR PREFORMED ARMOR RODS

FOR NESC HEAVY TENSIONS OF LESS THAN 10,000 LBS. PER SUBCONDUCTOR. FOR NESC HEAVY TENSIONS OF 10,000 LBS. OR GREATER USE COMPRESSION DEAD END ASSEMBLIES.

**THIS IS A COMPUTER GENERATED DRAWING - DO NOT REVISE MANUALLY**

Contact Engineering Standards - Transmission Section for the creation of new standards and CUs.

Drawing Scale: 1" = 30"



**TRANSMISSION  
CONSTRUCTION  
STANDARDS  
MANUAL**

**TRANSMISSION SPECIFY DETAILS**  
 SINGLE CIRCUIT - BUNDLED CONDUCTOR  
 6 SINGLE INSULATOR STRINGS - DEAD END  
 12 STRAIN CLAMPS - 6 YOKE PLATES - 6 SPACERS - 6 LOOP SPLICES

REVISION
00
DATE
5/21/2015

Drwn. By: B. Franklin  
Date Dr.: 10/02/2013

Checked By: Becken/Hart

Date Ck.: 12/24/2014

Approved By: Barry R. Hart

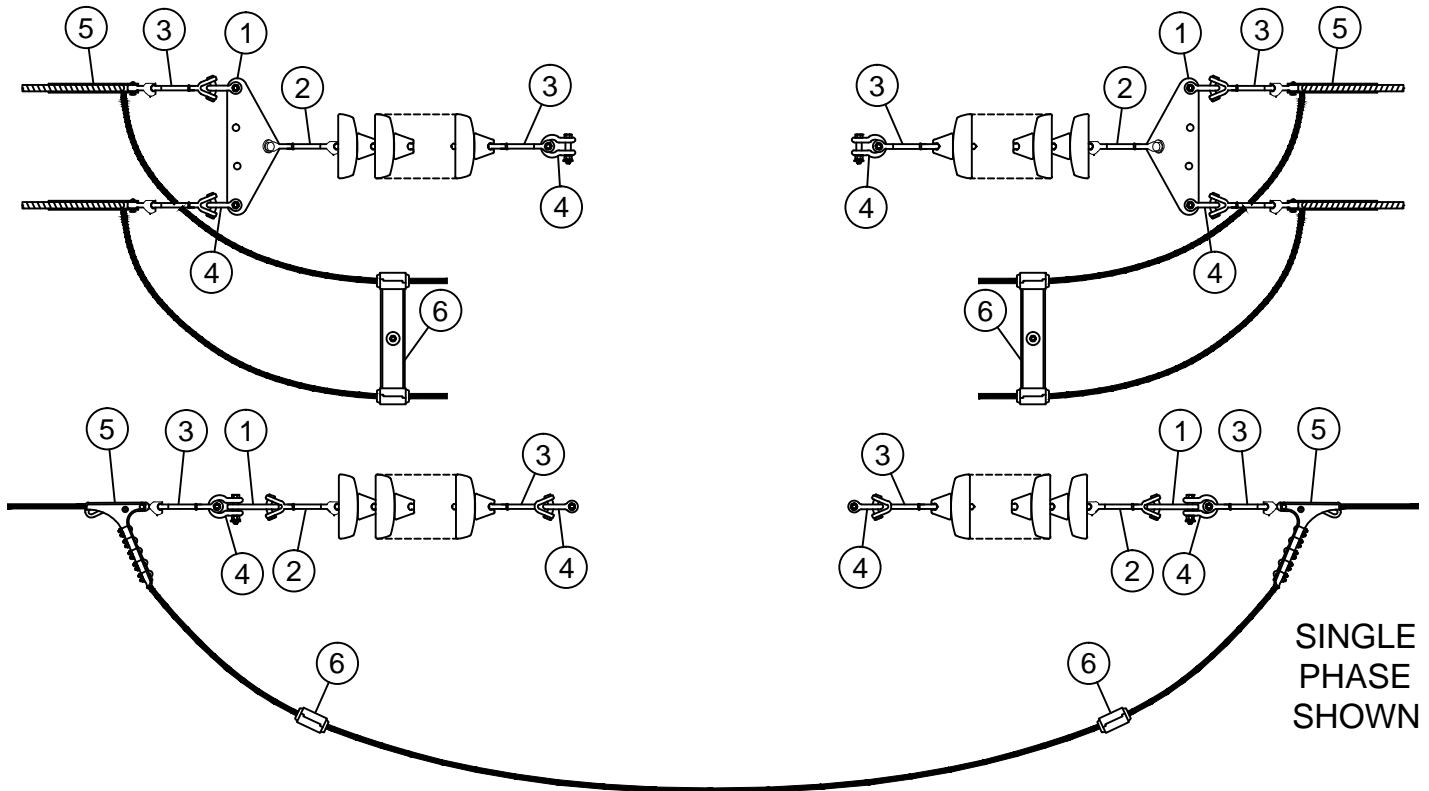
Date App.: 12/24/2014

**TM2.23.TS-N3Y2L2-X**

Sheet 1

**BILL OF MATERIAL - ALL ASSEMBLIES (Type of CU: CNDO)**

MARK	-J 795 45/7	-B 477 18/1	-X 795 26/7	-F 1033 45/7	-K 1192 45/7	UOM	IUSA MID	CU: C*CT-TS-N3Y2R1-(MARK)
ITEM NO.	QTY.	QTY.	QTY.	QTY.	QTY.			
1	6	6	6	6	6	EA	6000274132	YOKE STL TRIANGULAR 80K
2	6	6	6	6	6	EA	6000272898	FITTING CLEV-Y SCKT HL 30K BNK
3	18	18	18	18	18	EA	6000272910	FITTING CLEV-Y BALL HL 30K BNK
4	18	18	18	18	18	EA	1039220531	SHCKL ANCH 7/8 BNK 1-1/4 OPG
5		12				EA	6000110984	CLMP STRN AL 23K 0.46-0.86
5	12		12	12	12	EA	6000111000	CLMP STRN AL 30K 0.71-1.31
6		6				EA	6000221540	SPCR BNDL COND RIGID 18SPC 0.792-0.831
6	6		6			EA	6000221550	SPCR BNDL COND RIGID 18SPC 1.108
6				6		EA	6000221560	SPCR BNDL COND RIGID 18SPC 1.212
6					6	EA	6000221570	SPCR BNDL COND RIGID 18SPC 1.302



CU FUNCTION: TL69 FOR 35KV & 46KV, TG69 FOR 69KV THRU 344 KV, T345 FOR 345KV & GREATER

FOR CORRECT CU: SUBSTITUTE 5 FOR NYSEG, 6 FOR CMP OR 9 FOR RG&E IN PLACE OF ASTERISK (C\*\_)

FOR OTHER WIRE SIZES: REFER TO TJ-01-001 THRU TJ-01-003 FOR SUSPENSION CLAMPS AND TJ-05-001 THRU TJ-05-003 FOR PREFORMED ARMOR RODS

FOR NESC HEAVY TENSIONS OF LESS THAN 10,000 LBS. PER SUBCONDUCTOR. FOR NESC HEAVY TENSIONS OF 10,000 LBS. OR GREATER USE COMPRESSION DEAD END ASSEMBLIES.

THIS IS A COMPUTER GENERATED DRAWING - DO NOT REVISE MANUALLY

Contact Engineering Standards - Transmission Section for the creation of new standards and CUs.

Drawing Scale: 1" = 30"



**TRANSMISSION  
CONSTRUCTION  
STANDARDS  
MANUAL**

**TRANSMISSION SPECIFY DETAILS**  
 SINGLE CIRCUIT - BUNDLED CONDUCTOR  
 6 SINGLE INSULATOR STRINGS - DEAD END  
 12 STRAIN CLAMPS - 6 YOKE PLATES - 6 SPACERS

REVISION
00
DATE
5/21/2015

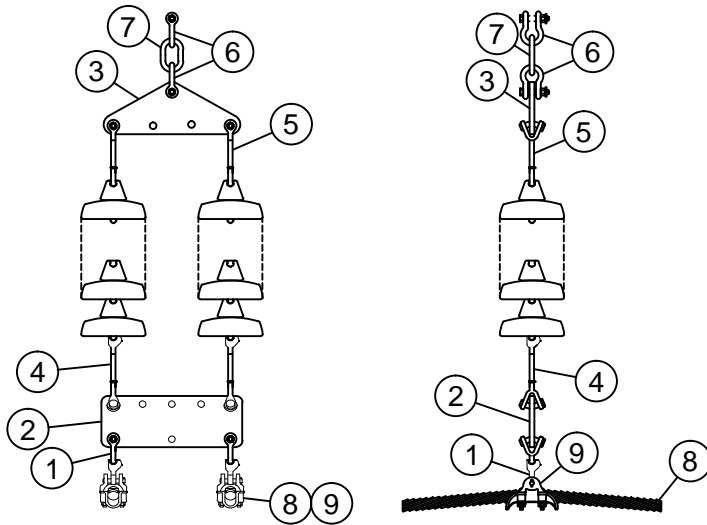
Drwn. By:	Date Dr.:	Checked By:	Date Ck.:	Approved By:	Date App.:
B. Franklin	10/02/2013	Becken/Hart	12/24/2014	Barry R. Hart	12/24/2014

**TM2.23.TS-N3Y2R1-X**

Sheet 1

**BILL OF MATERIAL - ALL ASSEMBLIES (Type of CU: CNDO)**

MARK	-J 795 45/7	-3 4/0 AAAC 7	-B 477 18/1	-X 795 26/7	-F 1033 45/7	-K 1192 45/7	-L 1590 54/19	UOM	IUSA MID	CU: C*CT-TS-S2A2D1-(MARK)
ITEM NO.	QTY.	QTY.	QTY.	QTY.	QTY.	QTY.	QTY.			
1	6	6	6	6	6	6	6	EA	6000272940	FITTING Y-CLEVIS 11/16, 30K
2	3	3	3	3	3	3	3	EA	6000274134	YOKE STL RECTANGULAR 60K
3	3	3	3	3	3	3	3	EA	6000274132	YOKE STL TRIANGULAR 80K
4	6	6	6	6	6	6	6	EA	6000272898	FITTING CLEV-Y SCKT HL 30K BNK
5	6	6	6	6	6	6	6	EA	6000272910	FITTING CLEV-Y BALL HL 30K BNK
6	6	6	6	6	6	6	6	EA	1039220531	SHCKL ANCH 7/8 BNK 1-1/4 OPG
7	3	3	3	3	3	3	3	EA	6000273375	LNK CHN 80K 1-1/4 X 4 OPNG 7/8 STOCK
8	6							EA	1007237065	ROD ARMOR PREF AL. 1.036-1.064
8		6						EA	1007235505	ROD ARMOR PREF AL. 0.552-0.585
8			6					EA	1007237020	ROD ARMOR PREF AL. 477 18/1
8				6				EA	6000220470	ROD ARMOR PREF AL. 1.099-1.139
8					6			EA	6000220490	ROD ARMOR PREF AL. 1.209-1.269
8						6		EA	6000220500	ROD ARMOR PREF AL. 1.27-1.327
8							6	EA	6000220510	ROD ARMOR PREF AL. EHV 1.509-1.578
9			6					EA	1036090149	CLMP SUSP AL W/ SCKT, 1.40-2.04
9		6						EA	1036090104	CLMP SUSP AL W/ SCKT, 0.50-1.04
9	6			6	6	6		EA	6000111470	CLMP SUSP AL W/ SCKT, 1.40-2.04
9							6	EA	6000111488	CLMP SUSP AL W/ SCKT, 1.50-2.13



SINGLE  
PHASE  
SHOWN

CU FUNCTION: TL69 FOR 35KV & 46KV, TG69 FOR 69KV THRU 344 KV, T345 FOR 345KV & GREATER

FOR CORRECT CU: SUBSTITUTE 5 FOR NYSEG, 6 FOR CMP OR 9 FOR RG&E IN PLACE OF ASTERISK (C\*\_)

FOR OTHER WIRE SIZES: REFER TO TJ-01-001 THRU TJ-01-003 FOR SUSPENSION CLAMPS AND TJ-05-001 THRU TJ-05-003 FOR PREFORMED ARMOR RODS

THIS IS A COMPUTER GENERATED DRAWING - DO NOT REVISE MANUALLY

Contact Engineering Standards - Transmission Section for the creation of new standards and CUs.

Drawing Scale: 1" = 30"



**TRANSMISSION  
CONSTRUCTION  
STANDARDS  
MANUAL**

**TRANSMISSION SPECIFY DETAILS**  
SINGLE CIRCUIT - BUNDLED CONDUCTOR  
3 DOUBLE INSULATOR STRINGS - RUNNING ANGLE SUSPENSION  
6 SUSPENSION CLAMPS - 6 SETS ARMOR RODS - 6 YOKE PLATES

REVISION
00
DATE
5/21/2015

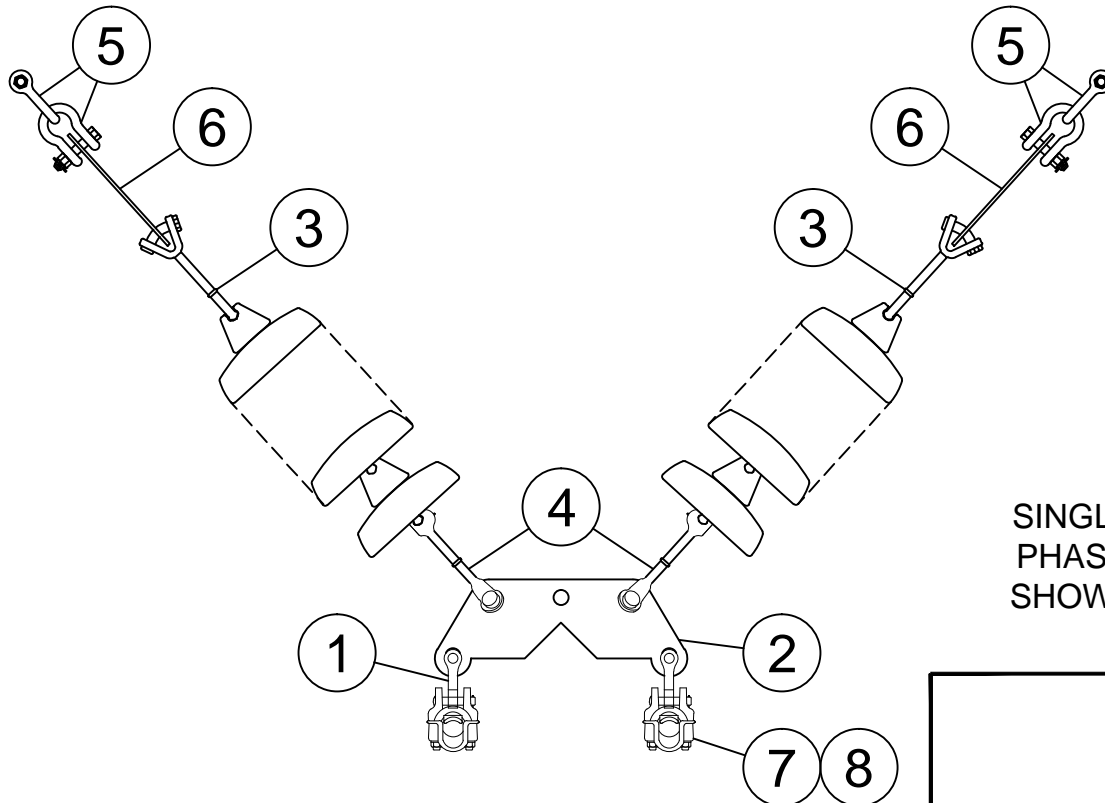
Drwn. By:	Date Dr.:	Checked By:	Date Ck.:	Approved By:	Date App.:
B. Franklin	10/02/2014	Becken/Hart	12/24/2014	Barry R. Hart	12/24/2014

**TM2.23.TS-S2A2D1-X**

Sheet 1

**BILL OF MATERIAL - ALL ASSEMBLIES (Type of CU: CNDO)**

MARK	-J 795 45/7	-3 4/0 AAAC 7	-B 477 18/1	-X 795 26/7	-F 1033 45/7	-K 1192 45/7	-L 1590 54/19	UOM	IUSA MID	CU: C*CT-TS-S2A2V1-(MARK)
ITEM NO.	QTY.	QTY.	QTY.	QTY.	QTY.	QTY.	QTY.			
1	6	6	6	6	6	6	6	EA	6000272940	FITTING Y-CLEVIS 11/16, 30K
2	3	3	3	3	3	3	3	EA	6000274145	PL YOKE GALV VEE TANGENT 40K
3	6	6	6	6	6	6	6	EA	6000272910	FITTING CLEV-Y BALL HL 30K BNK
4	6	6	6	6	6	6	6	EA	6000272898	FITTING CLEV-Y SCKT HL 30K BNK
5	12	12	12	12	12	12	12	EA	1039220531	SHCKL ANCH 7/8 BNK 1-1/4 OPG
6	6	6	6	6	6	6	6	EA	6000273422	EXTENSION STRAP, GALV., 2-1/2 X 22, 40K
7	6							EA	1007237065	ROD ARMOR PREF AL. 1.036-1.064
7		6						EA	1007235505	ROD ARMOR PREF AL. 0.552-0.585
7			6					EA	1007237020	ROD ARMOR PREF AL. 477 18/1
7				6				EA	6000220470	ROD ARMOR PREF AL. 1.099-1.139
7					6			EA	6000220490	ROD ARMOR PREF AL. 1.209-1.269
7						6		EA	6000220500	ROD ARMOR PREF AL. 1.27-1.327
7							6	EA	6000220510	ROD ARMOR PREF AL. EHV 1.509-1.578
8			6					EA	1036090149	CLMP SUSP AL W/ SCKT, 1.40-2.04
8		6						EA	1036090104	CLMP SUSP AL W/ SCKT, 0.50-1.04
8	6			6	6	6		EA	6000111470	CLMP SUSP AL W/ SCKT, 1.40-2.04
8							6	EA	6000111488	CLMP SUSP AL W/ SCKT, 1.50-2.13



SINGLE  
PHASE  
SHOWN

CU FUNCTION: TL69 FOR 35KV & 46KV, TG69 FOR 69KV THRU 344 KV OR T345 FOR 345KV & GREATER

FOR CORRECT CU: SUBSTITUTE 5 FOR NYSEG, 6 FOR CMP OR 9 FOR RG&E IN PLACE OF  
ASTERISK (C\*\_)

FOR OTHER WIRE SIZES: REFER TO TJ-01-001 THRU TJ-01-003 FOR SUSPENSION CLAMPS AND  
TJ-05-001 THRU TJ-05-003 FOR PREFORMED ARMOR RODS

THIS IS A COMPUTER GENERATED DRAWING - DO NOT REVISE MANUALLY

Contact Engineering Standards - Transmission Section for the creation of new standards and CUs.

Drawing Scale: 1" = 15"



TRANSMISSION  
CONSTRUCTION  
STANDARDS  
MANUAL

TRANSMISSION SPECIFY DETAILS  
SINGLE CIRCUIT - BUNDLED CONDUCTOR  
3 INSULATOR V-STRINGS - TANGENT SUSPENSION  
6 SUSPENSION CLAMPS - 6 SETS ARMOR RODS - 3 VEE YOKE PLATES

REVISION
00
DATE
5/21/2015

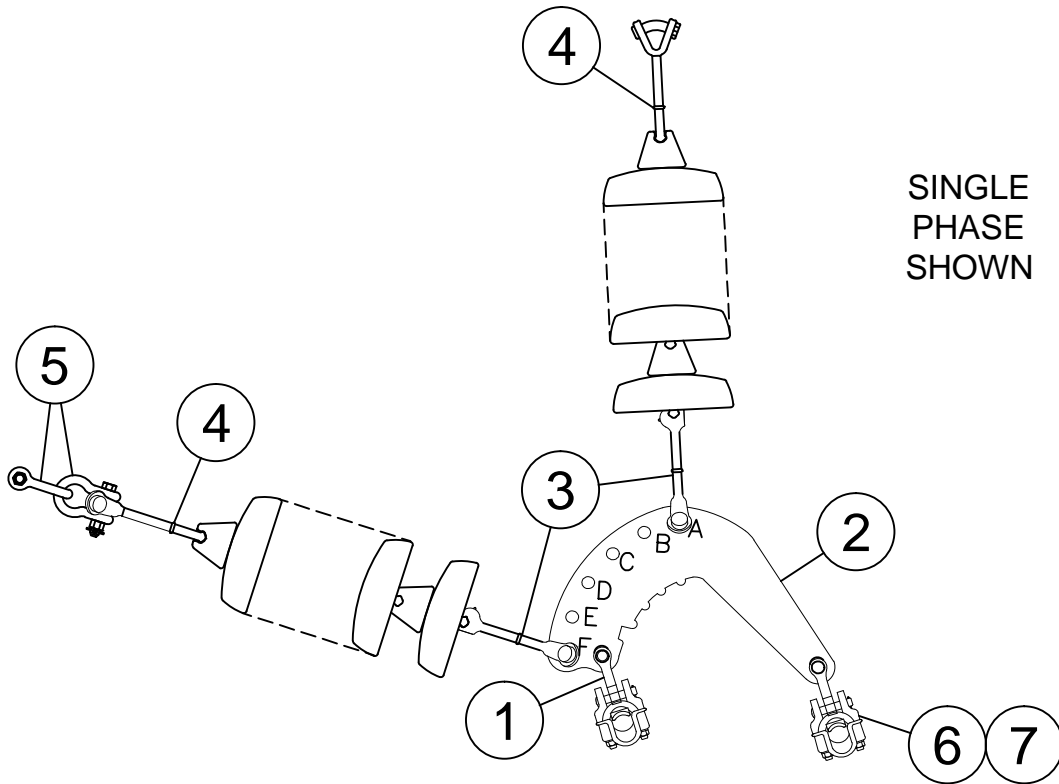
Drwn. By:	Date Dr.:	Checked By:	Date Ck.:	Approved By:	Date App.:
B. Franklin	9/3/2013	Becken/Hart	12/24/2014	Barry R. Hart	12/24/2014

**TM2.23.TS-S2A2V1-X**

Sheet 1

**BILL OF MATERIAL - ALL ASSEMBLIES (Type of CU: CNDO)**

MARK	-J 795 45/7	-3 4/0 AAAC 7	-B 477 18/1	-X 795 26/7	-F 1033 45/7	-K 1192 45/7	-L 1590 54/19	UOM	IUSA MID	CU: C*CT-TS-S2A2W1-(MARK)
ITEM NO.	QTY.	QTY.	QTY.	QTY.	QTY.	QTY.	QTY.			
1	6	6	6	6	6	6	6	EA	6000272940	FITTING Y-CLEVIS 11/16, 30K
2	3	3	3	3	3	3	3	EA	6000274141	PL YOKE GALV VARIABLE ANG 40K MIN
3	6	6	6	6	6	6	6	EA	6000272898	FITTING CLEV-Y SCKT HL 30K BNK
4	6	6	6	6	6	6	6	EA	6000272910	FITTING CLEV-Y BALL HL 30K BNK
5	6	6	6	6	6	6	6	EA	1039220531	SHCKL ANCH 7/8 BNK 1-1/4 OPG
6	6							EA	1007237065	ROD ARMOR PREF AL. 1.036-1.064
6		6						EA	1007235505	ROD ARMOR PREF AL. 0.552-0.585
6			6					EA	1007237020	ROD ARMOR PREF AL. 477 18/1
6				6				EA	6000220470	ROD ARMOR PREF AL. 1.099-1.139
6					6			EA	6000220490	ROD ARMOR PREF AL. 1.209-1.269
6						6		EA	6000220500	ROD ARMOR PREF AL. 1.27-1.327
6							6	EA	6000220510	ROD ARMOR PREF AL. EHV 1.509-1.578
7			6					EA	1036090149	CLMP SUSP AL W/ SCKT, 1.40-2.04
7		6						EA	1036090104	CLMP SUSP AL W/ SCKT, 0.50-1.04
7	6			6	6	6		EA	6000111470	CLMP SUSP AL W/ SCKT, 1.40-2.04
7							6	EA	6000111488	CLMP SUSP AL W/ SCKT, 1.50-2.13



CU FUNCTION: TL69 FOR 35KV & 46KV, TG69 FOR 69KV THRU 344 KV OR T345 FOR 345KV & GREATER

FOR CORRECT CU: SUBSTITUTE 5 FOR NYSEG, 6 FOR CMP OR 9 FOR RG&E IN PLACE OF  
ASTERISK (C\*\_)

FOR OTHER WIRE SIZES: REFER TO TJ-01-001 THRU TJ-01-003 FOR SUSPENSION CLAMPS AND  
TJ-05-001 THRU TJ-05-003 FOR PREFORMED ARMOR RODS

THIS IS A COMPUTER GENERATED DRAWING - DO NOT REVISE MANUALLY

Contact Engineering Standards - Transmission Section for the creation of new standards and CUs.

Drawing Scale: 1" = 15"



TRANSMISSION  
CONSTRUCTION  
STANDARDS  
MANUAL

TRANSMISSION SPECIFY DETAILS  
SINGLE CIRCUIT - BUNDLED CONDUCTOR  
3 INSULATOR V-STRINGS - ANGLE SUSPENSION  
6 SUSPENSION CLAMPS - 6 SETS ARMOR RODS - 3 VEE ANGLE YOKE PLATES

REVISION
00
DATE
5/21/2015

Drwn. By:	Date Dr.:	Checked By:	Date Ck.:	Approved By:	Date App.:
B. Franklin	9/3/2013	Becken/Hart	12/24/2014	Barry R. Hart	12/24/2014

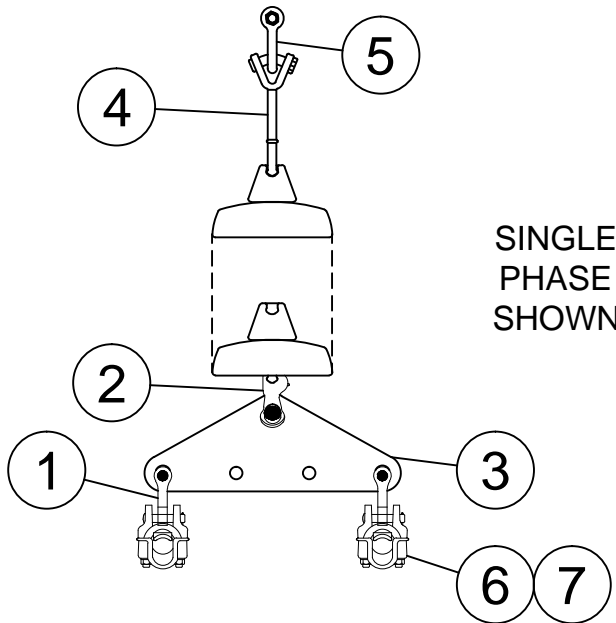
TM2.23.TS-S2A2W1-X

Sheet 1



**BILL OF MATERIAL - ALL ASSEMBLIES (Type of CU: CNDO)**

MARK	-J 795 45/7	-3 4/0 AAAC 7	-B 477 18/1	-X 795 26/7	-F 1033 45/7	-K 1192 45/7	-L 1590 54/19	UOM	IUSA MID	CU: C*CT-TS-S2A2Y1-(MARK)
ITEM NO.	QTY.	QTY.	QTY.	QTY.	QTY.	QTY.	QTY.			
1	6	6	6	6	6	6	6	EA	6000272940	FITTING Y-CLEVIS 11/16, 30K
2	3	3	3	3	3	3	3	EA	6000274071	YOKE AL TRIANGLE 40K
3	3	3	3	3	3	3	3	EA	6000272898	FITTING CLEV-Y SCKT HL 30K BNK
4	3	3	3	3	3	3	3	EA	6000272910	FITTING CLEV-Y BALL HL 30K BNK
5	3	3	3	3	3	3	3	EA	1039220531	SHCKL ANCH 7/8 BNK 1-1/4 OPG
6	6							EA	1007237065	ROD ARMOR PREF AL. 1.036-1.064
6		6						EA	1007235505	ROD ARMOR PREF AL. 0.552-0.585
6			6					EA	1007237020	ROD ARMOR PREF AL. 477 18/1
6				6				EA	6000220470	ROD ARMOR PREF AL. 1.099-1.139
6					6			EA	6000220490	ROD ARMOR PREF AL. 1.209-1.269
6						6		EA	6000220500	ROD ARMOR PREF AL. 1.27-1.327
6							6	EA	6000220510	ROD ARMOR PREF AL. EHV 1.509-1.578
7			6					EA	1036090149	CLMP SUSP AL W/ SCKT, 1.40-2.04
7		6						EA	1036090104	CLMP SUSP AL W/ SCKT, 0.50-1.04
7	6			6	6	6		EA	6000111470	CLMP SUSP AL W/ SCKT, 1.40-2.04
7							6	EA	6000111488	CLMP SUSP AL W/ SCKT, 1.50-2.13



CU FUNCTION: TL69 FOR 35KV & 46KV, TG69 FOR 69KV THRU 344 KV, T345 FOR 345KV & GREATER  
 FOR CORRECT CU: SUBSTITUTE 5 FOR NYSEG, 6 FOR CMP OR 9 FOR RG&E IN PLACE OF ASTERISK (C\*\_)  
 FOR OTHER WIRE SIZES: REFER TO TJ-01-001 THRU TJ-01-003 FOR SUSPENSION CLAMPS AND TJ-05-001 THRU TJ-05-003 FOR PREFORMED ARMOR RODS

THIS IS A COMPUTER GENERATED DRAWING - DO NOT REVISE MANUALLY

Contact Engineering Standards - Transmission Section for the creation of new standards and CUs.

Drawing Scale: 1" = 15"



TRANSMISSION  
CONSTRUCTION  
STANDARDS  
MANUAL

TRANSMISSION SPECIFY DETAILS  
SINGLE CIRCUIT - BUNDLED CONDUCTOR  
3 SINGLE INSULATOR STRINGS - TANGENT SUSPENSION  
6 SUSPENSION CLAMPS - 6 SETS ARMOR RODS - 3 YOKE PLATES

REVISION
00
DATE
5/21/2015

Drwn. By:	Date Dr.:	Checked By:	Date Ck.:	Approved By:	Date App.:
B. Franklin	11/30/2012	Becken/Hart	12/24/2014	Barry R. Hart	12/24/2014

**TM2.23.TS-S2A2Y1-X**

Sheet 1

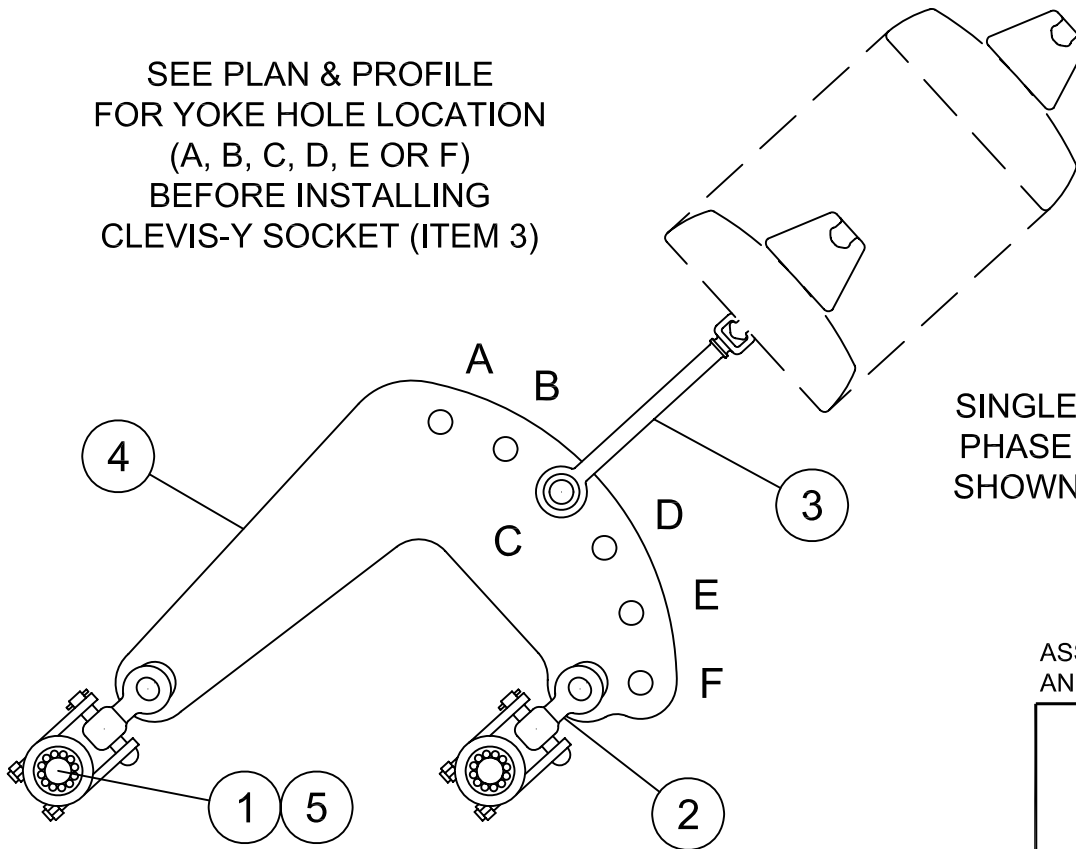
For use with class 52-3 & 52-5 disc insulators

mark	-B	-X	-F	-K	BILL OF MATERIAL			Type of CU: CNDO
ITEM NO.	QTY.	QTY.	QTY.	QTY.	UOM	NYSEG MID	CMP MID	CU: C*CT-TS-S2A2Z1-(mark)
1	6				SET	1007237020	6000220410	ROD ARMOR PREF AL 1.099-1.139
1		6			SET	1007237068	6000220470	ROD ARMOR PREF AL 1.099-1.139
1			6		SET	1007237075		ROD ARMOR PREF AL 1.209-1.269
1				6	SET	1007237077		ROD ARMOR PREF AL 1.270-1.327
2	6	6	6	6	EA		6000272940	FTTNG Y-CLV EYE 30K 11/16 H
3	3	3	3	3	EA	1036416200	6000272900	FTTNG CLV-Y SOC 30K SM NHL 3/4 BNK
4	3	3	3	3	EA	1039616000		YOKE AL VARIABLE ANG 40K MIN
5	6				EA	1036090149	6000111464	CLMP BLT SUSP AL W/SOC 1.00-1.49
5		6	6		EA	1036090204	6000111464	CLMP BLT SUSP AL W/SOC 1.40-2.04
5				6	EA	1036090218	6000111480	CLMP BLT SUSP AL W/SOC 1.40-2.18

CU Function: TL69 for 35kV & 46kV, TG69 for 69kV thru 344kV, T345 for 345kV and greater.

For correct CU: substitute 5 for NYSEG, 6 for CMP or 9 for RG&E in place of asterisk (C\*\_).

SEE PLAN & PROFILE  
FOR YOKE HOLE LOCATION  
(A, B, C, D, E OR F)  
BEFORE INSTALLING  
CLEVIS-Y SOCKET (ITEM 3)



SINGLE  
PHASE  
SHOWN

ASSOCIATED STANDARD:  
ANGLE SUSPENSION 0° - 28°

FOR OTHER WIRE SIZES:  
REFER TO TJ-01-001 FOR SUSPENSION CLAMPS  
AND ASSOCIATED PREFORMED ARMOR RODS.

THIS IS A COMPUTER GENERATED DRAWING - DO NOT REVISE MANUALLY

Contact System Engineering - Transmission Section for the creation of new standards and CUs.

Drawing Scale: 1-1/2" = 1'



IUSA  
TRANSMISSION  
CONSTRUCTION  
STANDARDS  
MANUAL

TRANSMISSION SPECIFY DETAILS  
SINGLE CIRCUIT - BUNDLED CONDUCTOR  
3 SINGLE INSULATOR STRINGS - ANGLE SUSPENSION TO 28°  
6 SUSPENSION CLAMPS - 6 SETS ARMOR RODS - 3 YOKES

ISSUE  
0  
DATE  
12/13/2012

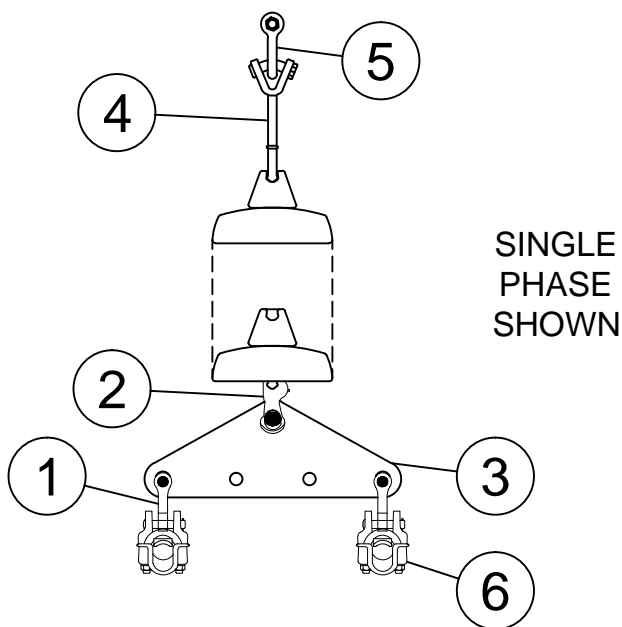
Drwn. By: L.A. Best | Date Dr.: 5/31/2011 | Checked By: Bartczak/Becken/Shepard | Date Ck.: 11/17/2011 | Approved By: Barry R. Hart | Date App.: 12/13/2012

**TS-S2A2Z1-x**

Sheet 1

**BILL OF MATERIAL - ALL ASSEMBLIES (Type of CU: CNDO)**

MARK	-X 795 26/7	-X 850.8 45/7	-1 900 54/7	UOM	IUSA MID	CU: C*CT-TS-S2Y1-(MARK)
ITEM NO.	QTY.	QTY.	QTY.			
1	6	6	6	EA	6000272940	FITTING Y-CLEVIS 11/16, 30K
2	3	3	3	EA	6000274071	YOKE AL TRIANGLE 40K
3	3	3	3	EA	6000272898	FITTING CLEV-Y SCKT HL 30K BNK
4	3	3	3	EA	6000272910	FITTING CLEV-Y BALL HL 30K BNK
5	3	3	3	EA	1039220531	SHCKL ANCH 7/8 BNK 1-1/4 OPG
6	6	6	6	EA	6000111440	CLMP SUSP AL W/ SCKT, 0.90-1.39



CU FUNCTION: TL69 FOR 35KV & 46KV, TG69 FOR 69KV THRU 344 KV, T345 FOR 345KV & GREATER

FOR CORRECT CU: SUBSTITUTE 4 FOR MEPCO, 6 FOR CMP IN PLACE OF ASTERISK (C\*\_)

NOTE A: FOR OTHER WIRE SIZES: REFER TO TJ-01-001 THRU TJ-01-003 FOR SUSPENSION CLAMPS AND TJ-05-001 THRU TJ-05-003 FOR PREFORMED ARMOR RODS

NOTE B: THESE ASSEMBLIES TO BE USED FOR MAINTENANCE PURPOSES ON CENTRAL MAINE POWER AND MAINE ELECTRIC POWER COMPANY 345KV TRANSMISSION LINES ONLY.

THIS IS A COMPUTER GENERATED DRAWING - DO NOT REVISE MANUALLY

Contact Engineering Standards - Transmission Section for the creation of new standards and CUs.

Drawing Scale: 1" = 15"



**TRANSMISSION  
CONSTRUCTION  
STANDARDS  
MANUAL**

**TRANSMISSION SPECIFY DETAILS**  
SINGLE CIRCUIT - BUNDLED CONDUCTOR - MAINTENANCE ONLY  
3 SINGLE INSULATOR STRINGS - TANGENT SUSPENSION  
6 SUSPENSION CLAMPS - 3 YOKE PLATES

REVISION	00
DATE	5/21/2015

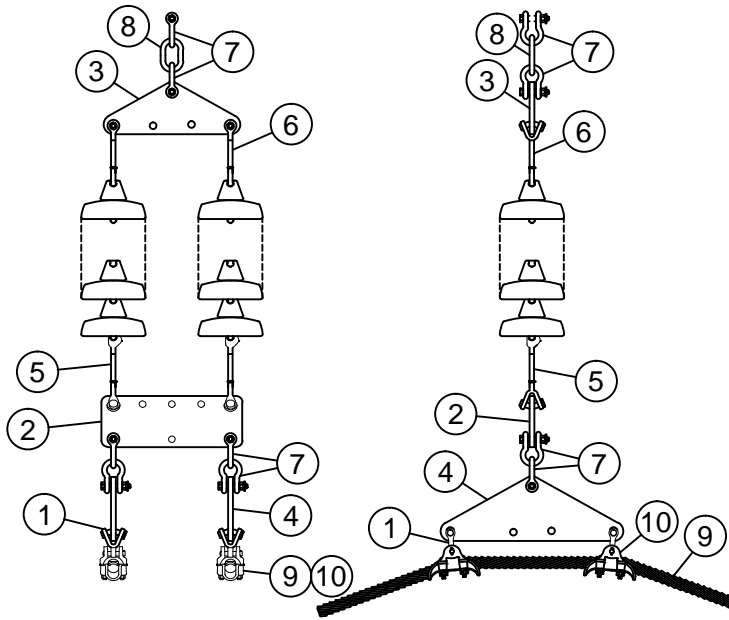
Drwn. By:	Date Dr.:	Checked By:	Date Ck.:	Approved By:	Date App.:
B. Franklin	11/30/2012	Becken/Hart	12/24/2014	Barry R. Hart	12/24/2014

**TM2.23.TS-S2Y1-X**

Sheet 1

**BILL OF MATERIAL - ALL ASSEMBLIES (Type of CU: CNDO)**

MARK	-J 795 45/7	-3 4/0 AAAC 7	-B 477 18/1	-X 795 26/7	-F 1033 45/7	-K 1192 45/7	-L 1590 54/19	UOM	IUSA MID	CU: C*CT-TS-S3D1Y2-(MARK)
ITEM NO.	QTY.	QTY.	QTY.	QTY.	QTY.	QTY.	QTY.			
1	12	12	12	12	12	12	12	EA	6000272940	FITTING Y-CLEVIS 11/16, 30K
2	3	3	3	3	3	3	3	EA	6000274134	YOKE STL RECTANGULAR 60K
3	3	3	3	3	3	3	3	EA	6000274132	YOKE STL TRIANGULAR 80K
4	6	6	6	6	6	6	6	EA	6000274073	YOKE STL TRIANGULAR 50K, 37 IN
5	6	6	6	6	6	6	6	EA	6000272898	FITTING CLEV-Y SCKT HL 30K BNK
6	6	6	6	6	6	6	6	EA	6000272910	FITTING CLEV-Y BALL HL 30K BNK
7	18	18	18	18	18	18	18	EA	1039220531	SHCKL ANCH 7/8 BNK 1-1/4 OPG
8	3	3	3	3	3	3	3	EA	6000273375	LNK CHN 80K 1-1/4 X 4 OPNG 7/8 STOCK
9	6							EA	1007237065	ROD ARMOR PREF AL. 1.036-1.064
9		6						EA	1007235505	ROD ARMOR PREF AL. 0.552-0.585
9			6					EA	1007237020	ROD ARMOR PREF AL. 477 18/1
9				6				EA	6000220470	ROD ARMOR PREF AL. 1.099-1.139
9					6			EA	6000220490	ROD ARMOR PREF AL. 1.209-1.269
9						6		EA	6000220500	ROD ARMOR PREF AL. 1.27-1.327
9							6	EA	6000220510	ROD ARMOR PREF AL. EHV 1.509-1.578
10			12					EA	1036090149	CLMP SUSP AL W/ SCKT, 1.40-2.04
10		12						EA	1036090104	CLMP SUSP AL W/ SCKT, 0.50-1.04
10	12			12	12	12		EA	6000111470	CLMP SUSP AL W/ SCKT, 1.40-2.04
10							12	EA	6000111488	CLMP SUSP AL W/ SCKT, 1.50-2.13



SINGLE  
PHASE  
SHOWN

CU FUNCTION: TL69 FOR 35KV & 46KV, TG69 FOR 69KV THRU 344 KV, T345 FOR 345KV & GREATER

FOR CORRECT CU: SUBSTITUTE 5 FOR NYSEG, 6 FOR CMP OR 9 FOR RG&E IN PLACE OF  
ASTERISK (C\*\_)

FOR OTHER WIRE SIZES: REFER TO TJ-01-001 THRU TJ-01-003 FOR SUSPENSION CLAMPS AND  
TJ-05-001 THRU TJ-05-003 FOR PREFORMED ARMOR RODS

THIS IS A COMPUTER GENERATED DRAWING - DO NOT REVISE MANUALLY

Contact Engineering Standards - Transmission Section for the creation of new standards and CUs.

Drawing Scale: 1" = 30"



TRANSMISSION  
CONSTRUCTION  
STANDARDS  
MANUAL

TRANSMISSION SPECIFY DETAILS  
SINGLE CIRCUIT - BUNDLED CONDUCTOR  
3 DOUBLE INSULATOR STRINGS - RUNNING ANGLE SUSPENSION  
12 SUSPENSION CLAMPS - 6 SETS ARMOR RODS - 12 YOKE PLATES

REVISION
00
DATE
5/21/2015

Drwn. By:	Date Dr.:	Checked By:	Date Ck.:	Approved By:	Date App.:
B. Franklin	8/28/2013	Becken/Hart	12/24/2014	Barry R. Hart	12/24/2014

**TM2.23.TS-S3D1Y2-X**

Sheet 1