

CU Type: UC_SWTCT

CUs limited to 17 characters

Transmission Switch 'TU' CU Coding Format and Naming Convention

1st	2nd	3rd	4th	5th	6th	7th	8th	9th	10th	11th	12th	13th	14th	15th	16th	17th
U	X1	C	T	-	T	U	-	S	W	X2	X3	X4	X5	-	X6	X7

X1	OpCo
2	NYSEG
3	CMP
4	RG&E

X2	VOLTAGE
1	115kV
2	230kV
3	345kV
4	46kV
5	35kV
6	69kV

UNIQUE SWITCH RELATED CUs:

C5CT-TU-SW-MO-APS:

motor operator with AC power supply

C5CT-TU-SW-MO-NPS:

motor operator without power supply

X3	TYPE OF SWITCH
A	1-WAY HORIZONTAL LOADBREAK
B	1-WAY HORIZONTAL UNITIZED LOADBREAK
C	1-WAY VERTICAL PHASE-OVER-PHASE GROUP OPERATED LOAD BREAK
D	2-WAY VERTICAL PHASE-OVER-PHASE GROUP OPERATED LOAD BREAK
E	3-WAY VERTICAL PHASE-OVER-PHASE GROUP OPERATED LOAD BREAK
I	IN-LINE DISCONNECT
Z	35kV IN-LINE DISCONNECT WITH FIRED-ON CONNECTIONS (SPECIAL APPLICATION)

X4	AMPERAGE
1	1200 AMP
2	2000 AMP
3	3000 AMP
5	2500 AMP
6	600 AMP
9	900 AMP

X5	BREAK TYPE
L	VERTICAL BREAK
S	SIDE BREAK
D	DOUBLE BREAK
V	VEE BREAK
H	IN-LINE HOT-STICK DISCONNECT

X6	ADDITIONAL INFO (if needed)
A	ARCHING HORNS
C	SUPERVISORY CONTROL
I	VACUUM INTERRUPTERS
Z	FIRED-ON CONNECTIONS


X7	use with X3 - Z applications only
1	1/0 ACSR 6/1
2	2/0 ACSR 6/1
3	3/0 ACSR 6/1
4	4/0 ACSR 6/1

CU Function: U_TL69 for 35kV & 46kV, U_TG69 for 69kV through 344kV, U_T345 for 345kV & greater.

For correct CU: substitute 2 for NYSEG, 3 for CMP or 4 for RG&E in place of asterisk (U*_).

Contact Engineering Standards - Transmission for the creation of new standards and CUs.

Drawing Scale: N/A

	IBERDROLA USA TRANSMISSION CONSTRUCTION STANDARDS MANUAL	TRANSMISSION SWITCH DETAILS STANDARD CU FORMAT AND NAMING CONVENTION				Revision
						00
						DATE
						/ / 2014
Drwn. By:	Date Dr.:	Checked By:	Date Ck.:	Approved By:	Date App.:	TM2.23.TU-SW-CU
L.A. Best	1/15/2014	Shepard/Becken/Hart	/ / 2014	Barry R. Hart	/ / 2014	
						Sheet 1

THIS IS A COMPUTER GENERATED DRAWING - DO NOT REVISE MANUALLY

ANSI A 8-1/2" X 11"

CU Type: LA (all macros)

CUs limited to 17 characters

TU - Standard CU Format

1st	2nd	3rd	4th	5th	6th	7th	8th	9th	10th	11th	12th	13th	14th	15th	16th	17th
U	X1	C	T	-	T	U	-	A	R	X2	-	X3	X4			

X1	OpCo
2	NYSEG
3	CMP
4	RG&E

X3	Equipment Type
N	Surge Arrester - Non-Effectively Grounded
E	Surge Arrester - Effectively Grounded

X2	Voltage
5	35kV
4	46kV
6	69kV
1	115kV
2	230kV
3	345kV

X4	Maximum Continuous Operating Voltage (MCOV)
###	Manufacturer's Recommended Value in kV (3-Digit Number)

ARRESTER CU EXAMPLES:

U2CT-TU-AR5-E029 = NYSEG 35KV EFFECTIVELY GROUNDED ARRESTER WITH AN MCOV OF 29KV.

U3CT-TU-AR6-E072 = CMP 69KV EFFECTIVELY GROUNDED ARRESTER WITH AN MCOV OF 72KV.

CU FUNCTION: U_TL69 FOR 35KV & 46KV, U_TG69 FOR 69KV THRU 344KV, U_T345 FOR 345KV & GREATER.

FOR CORRECT CU: SUBSTITUTE 2 FOR NYSEG, 3 FOR CMP, OR 4 FOR RG&E IN PLACE OF THE ASTERISK (U*_).

THIS IS A COMPUTER GENERATED DRAWING - DO NOT REVISE MANUALLY

Contact Engineering Standards - Transmission Section for the creation of new standards and CUs.

Drawing Scale: N/A



**TRANSMISSION
CONSTRUCTION
STANDARDS
MANUAL**

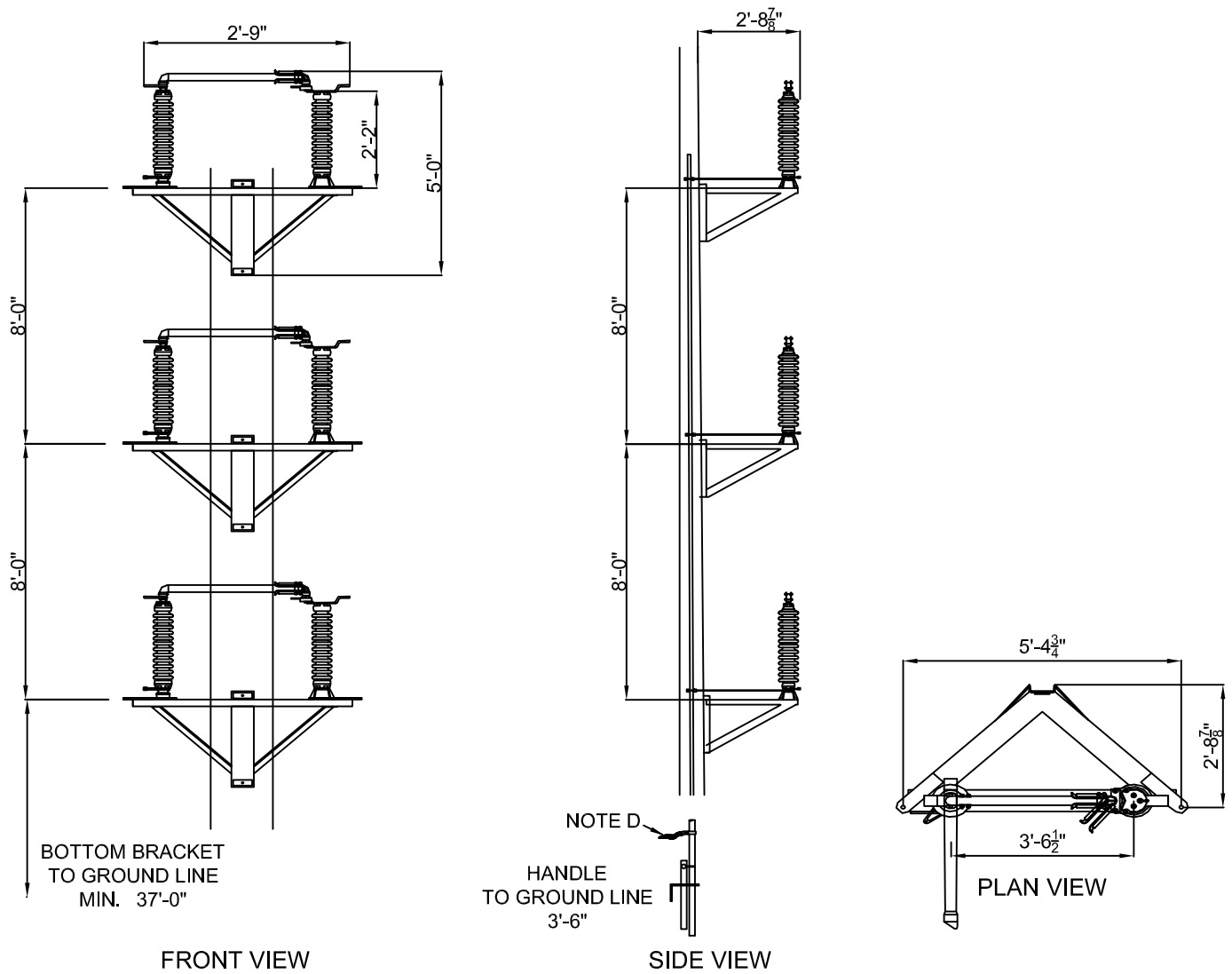
**TRANSMISSION STRUCTURE STANDARDS
ARRESTERS
STANDARD CU FORMAT
AND NAMING CONVENTION**

REVISION
01
DATE
7/15/2015

Drwn. By:	Date Dr.:	Checked By:	Date Ck.:	Approved By:	Date App.:
B. Franklin	6/25/2014	Becken/Hart	3/05/2015	Barry R. Hart	4/09/2015

TM2.23.TU-AR-CU

Sheet 1



CU FUNCTION: U_TL69 FOR 35KV & 46KV, U_TG69 FOR 69KV THRU 344KV, U_T345 FOR 345KV & GREATER.

FOR CORRECT CU: SUBSTITUTE 2 FOR NYSEG, 3 FOR CMP OR 4 FOR RG&E IN PLACE OF ASTERISK (U*).

- NOTE A: OTHER STANDARD DRAWINGS REQUIRED:
 TG-05-001 SWITCH MAT
 TK-08-001 SWITCH NUMBER MARKERS - APPLICATION
 TK-08-002 SWITCH MAT BELOW SIGN
 TK-08-003 SWITCH NUMBER MARKERS - HOLDERS
 TK-08-004 SWITCH NUMBER MARKERS - NUMBERS

NOTE B: SWITCH SHALL BE MOUNTED AND ADJUSTED BY INSTALLER SUCH THAT THE SWITCH OPENS AND CLOSES WITH EASE.

NOTE C: MOUNTING HARDWARE IS INCLUDED ON STRUCTURE DRAWINGS.

NOTE D: MANUFACTURER PROVIDED WIRE BRAID GROUND ATTACHED TO SWITCH HANDLE SHALL BE GROUNDED TO THE STRUCTURE GROUND BY THE INSTALLER.

CHARACTERISTIC	VALUE
NOMINAL USAGE VOLTAGE	48.3KV
BASIC IMPULSE LEVEL	250KV

THIS IS A COMPUTER GENERATED DRAWING - DO NOT REVISE MANUALLY

Contact Engineering Standards - Transmission Section for the creation of new standards and CUs.

Drawing Scale: NTS



TRANSMISSION
CONSTRUCTION
STANDARDS
MANUAL

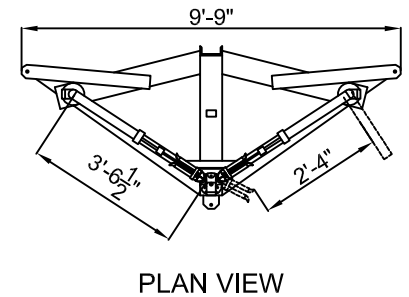
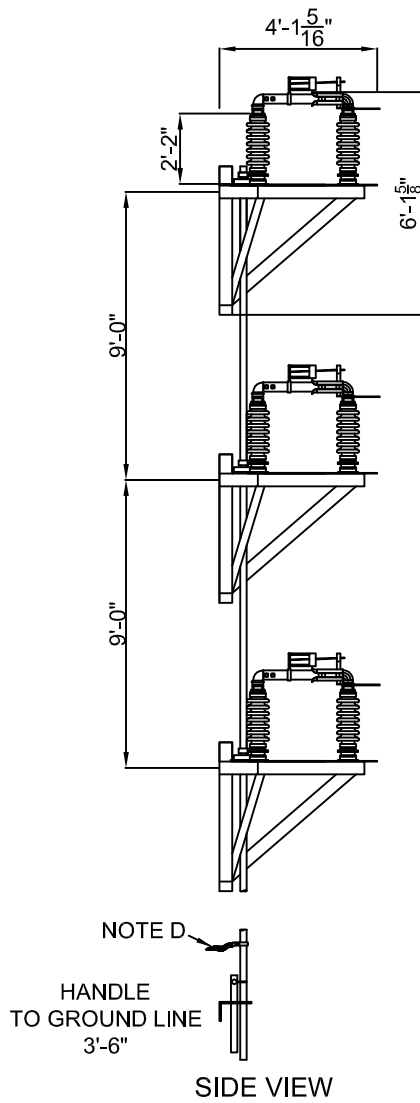
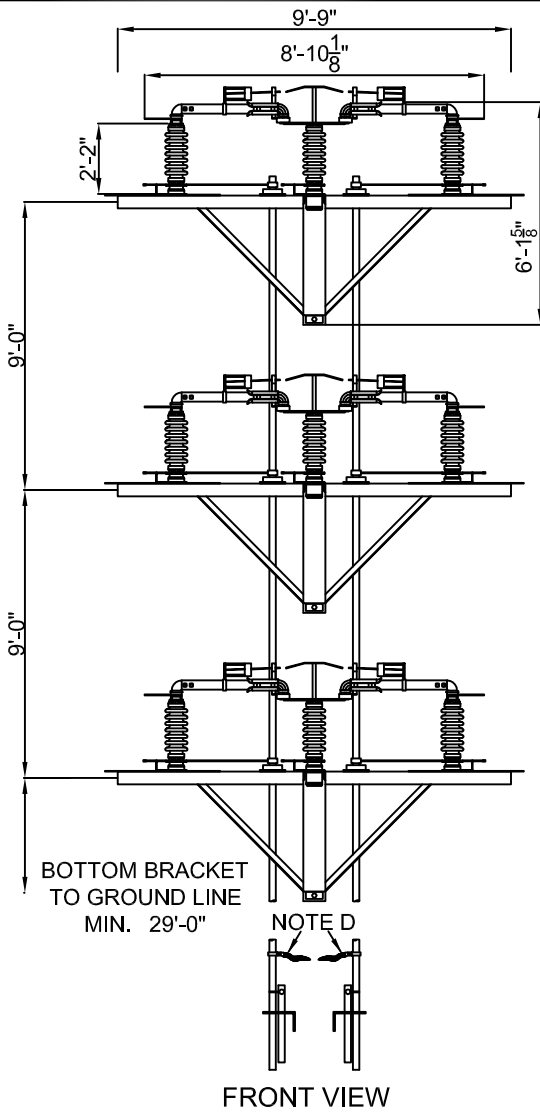
TRANSMISSION STANDARDS - SWITCHES
48.3kv HORIZONTAL MOUNTED SWITCH - GANG-OPERATED
ONE-WAY LOAD INTERRUPTING

REVISION	00
DATE	10/22/2015

Drwn. By:	Date Dr.:	Checked By:	Date Ck.:	Approved By:	Date App.:
C. Gauvin	10/22/2015	Becken/Hart	//2015	Barry R. Hart	//2015

TM2.23.TU-SW4CxS

Sheet 1



CU FUNCTION: U_TL69 FOR 35KV & 46KV, U_TG69 FOR 69KV THRU 344KV, U_T345 FOR 345KV & GREATER.

FOR CORRECT CU: SUBSTITUTE 2 FOR NYSEG, 3 FOR CMP OR 4 FOR RG&E IN PLACE OF ASTERISK (U*).

NOTE A: OTHER STANDARD DRAWINGS REQUIRED:

- TG-05-001 SWITCH MAT
- TK-08-001 SWITCH NUMBER MARKERS - APPLICATION
- TK-08-002 SWITCH MAT BELOW SIGN
- TK-08-003 SWITCH NUMBER MARKERS - HOLDERS
- TK-08-004 SWITCH NUMBER MARKERS - NUMBERS

NOTE B: SWITCH SHALL BE MOUNTED AND ADJUSTED BY INSTALLER SUCH THAT THE SWITCH OPENS AND CLOSES WITH EASE.

NOTE C: MOUNTING HARDWARE IS INCLUDED ON STRUCTURE DRAWINGS.

NOTE D: MANUFACTURER PROVIDED WIRE BRAID GROUND ATTACHED TO SWITCH HANDLE SHALL BE GROUNDED TO THE STRUCTURE GROUND BY THE INSTALLER.

CHARACTERISTIC	VALUE
NOMINAL USAGE VOLTAGE	48.3KV
BASIC IMPULSE LEVEL	250KV

THIS IS A COMPUTER GENERATED DRAWING - DO NOT REVISE MANUALLY

Contact Engineering Standards - Transmission Section for the creation of new standards and CUs.

Drawing Scale: 1" = 5'



TRANSMISSION
CONSTRUCTION
STANDARDS
MANUAL

TRANSMISSION STANDARDS - SWITCHES
48.3kv HORIZONTAL MOUNTED SWITCH - GANG-OPERATED
TWO-WAY LOAD INTERRUPTING

REVISION	00
DATE	10/21/2015

Drwn. By: C. Gauvin
Date Dr.: 10/21/2015

Checked By: Becken/Hart

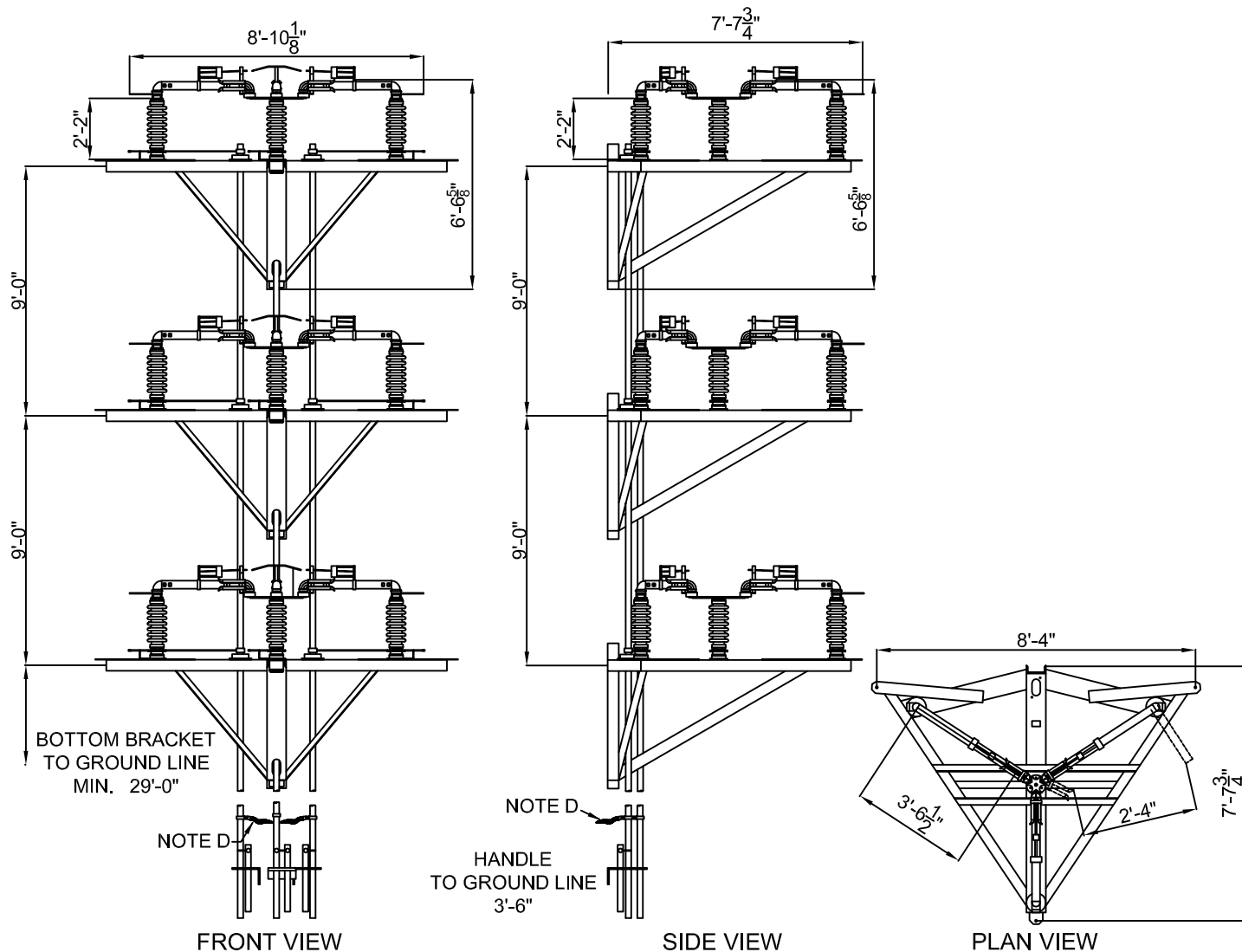
Date Ck.: / /2015

Approved By: Barry R. Hart

Date App.: / /2015

TM2.23.TU-SW4DxS

Sheet 1



CU FUNCTION: U_TL69 FOR 35KV & 46KV, U_TG69 FOR 69KV THRU 344KV, U_T345 FOR 345KV & GREATER.

FOR CORRECT CU: SUBSTITUTE 2 FOR NYSEG, 3 FOR CMP OR 4 FOR RG&E IN PLACE OF ASTERISK (*).

- NOTE A: OTHER STANDARD DRAWINGS REQUIRED:
 TG-05-001 SWITCH MAT
 TK-08-001 SWITCH NUMBER MARKERS - APPLICATION
 TK-08-002 SWITCH MAT BELOW SIGN
 TK-08-003 SWITCH NUMBER MARKERS - HOLDERS
 TK-08-004 SWITCH NUMBER MARKERS - NUMBERS

NOTE B: SWITCH SHALL BE MOUNTED AND ADJUSTED BY INSTALLER SUCH THAT THE SWITCH OPENS AND CLOSES WITH EASE.

NOTE C: MOUNTING HARDWARE IS INCLUDED ON STRUCTURE DRAWINGS.

NOTE D: MANUFACTURER PROVIDED WIRE BRAID GROUND ATTACHED TO SWITCH HANDLE SHALL BE GROUNDED TO THE STRUCTURE GROUND BY THE INSTALLER.

CHARACTERISTIC	VALUE
NOMINAL USAGE VOLTAGE	48.3KV
BASIC IMPULSE LEVEL	250KV

THIS IS A COMPUTER GENERATED DRAWING - DO NOT REVISE MANUALLY

Contact Engineering Standards - Transmission Section for the creation of new standards and CUs.

Drawing Scale: 1" = 5'



TRANSMISSION
CONSTRUCTION
STANDARDS
MANUAL

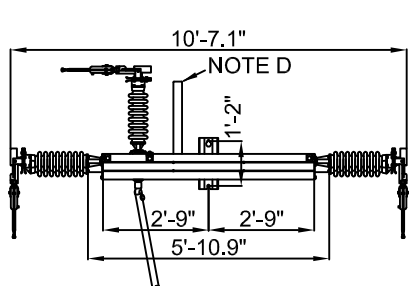
TRANSMISSION STANDARDS - SWITCHES
48.3kV HORIZONTAL MOUNTED SWITCH - GANG-OPERATED
THREE-WAY LOAD INTERRUPTING

REVISION	00
DATE	10/21/2015

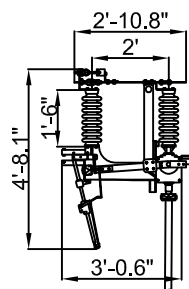
Drwn. By:	Date Dr.:	Checked By:	Date Ck.:	Approved By:	Date App.:
C. Gauvin	10/21/2015	Becken/Hart	//2015	Barry R. Hart	//2015

TM2.23.TU-SW4ExS

Sheet 1



FRONT VIEW



SIDE VIEW

CHARACTERISTIC	VALUE
NOMINAL USAGE VOLTAGE	38KV
BASIC IMPULSE LEVEL	200KV
INTERRUPTING CURRENT	1,200 A
MOMENTARY CURRENT	40,000 A
3-SECOND CURRENT	20,000 A
LENGTH OF PROVIDED OPERATING PIPE	30 FT

CU FUNCTION: U_TL69 FOR 35KV & 46KV, U_TG69 FOR 69KV THRU 344KV, U_T345 FOR 345KV & GREATER.

FOR CORRECT CU: SUBSTITUTE 2 FOR NYSEG, 3 FOR CMP OR 4 FOR RG&E IN PLACE OF ASTERISK (U*_).

NOTE A: OTHER STANDARD DRAWINGS REQUIRED:

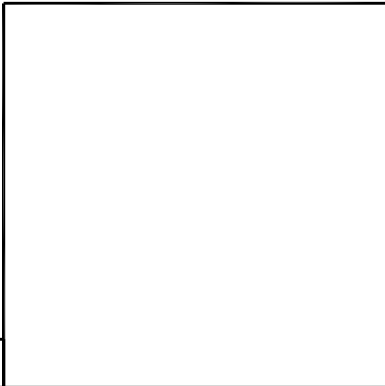
- TG-05-001 SWITCH MAT
- TK-08-001 SWITCH NUMBER MARKERS - APPLICATION
- TK-08-002 SWITCH MAT BELOW SIGN
- TK-08-003 SWITCH NUMBER MARKERS - HOLDERS
- TK-08-004 SWITCH NUMBER MARKERS - NUMBERS

NOTE B: SWITCH SHALL BE MOUNTED AND ADJUSTED BY INSTALLER SUCH THAT THE SWITCH OPENS AND CLOSES WITH EASE.

NOTE C: MOUNTING HARDWARE IS INCLUDED ON STRUCTURE DRAWINGS.

NOTE D: MANUFACTURER PROVIDED LIFTING APPURTENANCE SHALL BE REMOVED AFTER INSTALLATION.

NOTE E: MANUFACTURER PROVIDED WIRE BRAID GROUND ATTACHED TO SWITCH HANDLE SHALL BE GROUNDED TO THE STRUCTURE GROUND BY THE CONTRACTOR.



THIS IS A COMPUTER GENERATED DRAWING - DO NOT REVISE MANUALLY

Contact Engineering Standards - Transmission Section for the creation of new standards and CUs.

Drawing Scale: 1" = 5'



TRANSMISSION
CONSTRUCTION
STANDARDS
MANUAL

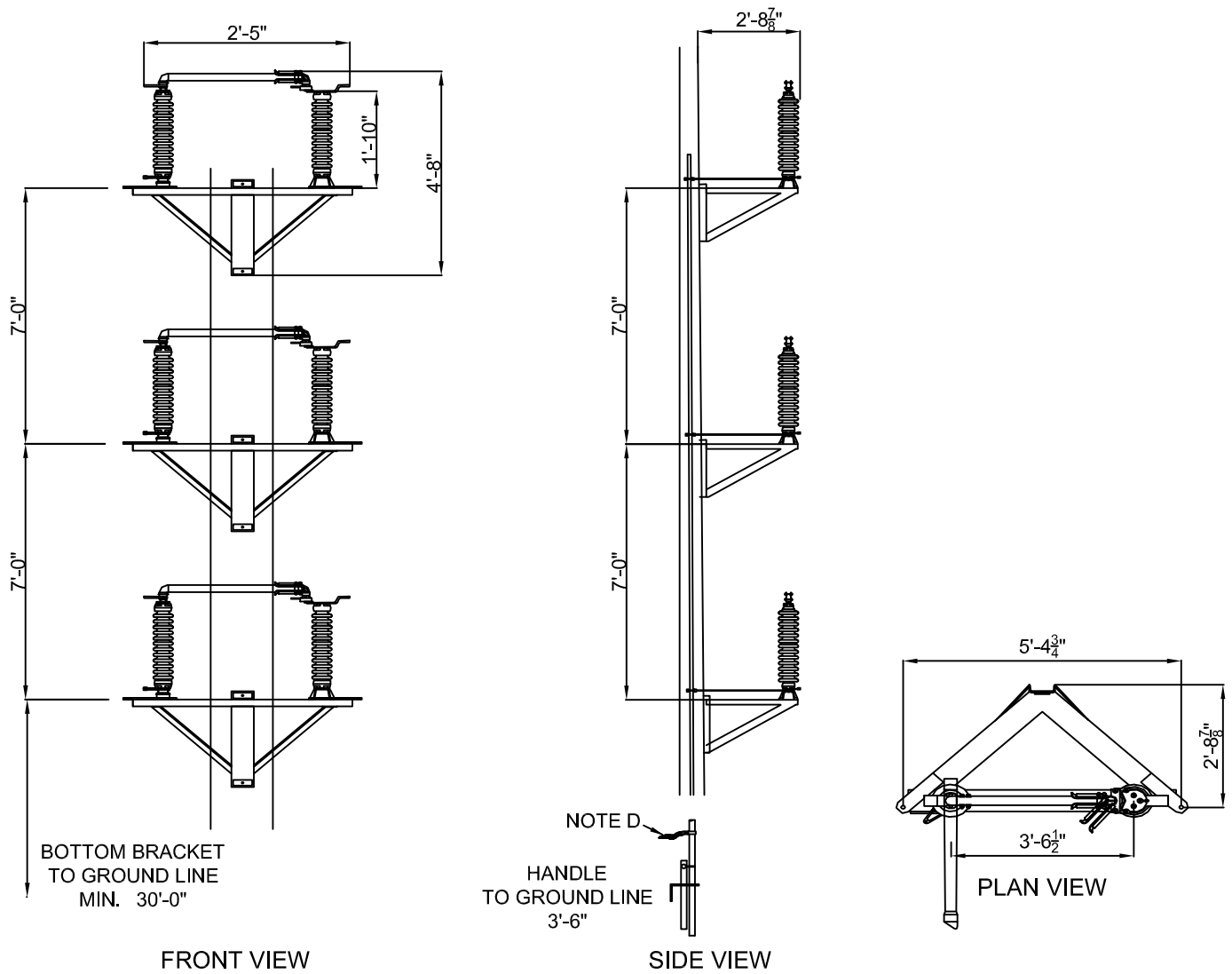
TRANSMISSION STANDARDS - SWITCHES
38kv HORIZONTAL MOUNTED SWITCH - GANG-OPERATED
VERTICAL BREAK LOAD INTERRUPTING 1200 AMP

REVISION
01
DATE
10/21/2015

Drwn. By:	Date Dr.:	Checked By:	Date Ck.:	Approved By:	Date App.:
C. Gauvin	10/08/2014	Becken/Hart	3/05/2015	Barry R. Hart	4/09/2015

TM2.23.TU-SW5A1V

Sheet 1



CU FUNCTION: U_TL69 FOR 35KV & 46KV, U_TG69 FOR 69KV THRU 344KV, U_T345 FOR 345KV & GREATER.

FOR CORRECT CU: SUBSTITUTE 2 FOR NYSEG, 3 FOR CMP OR 4 FOR RG&E IN PLACE OF ASTERISK (U*).

NOTE A: OTHER STANDARD DRAWINGS REQUIRED:

- TG-05-001 SWITCH MAT
- TK-08-001 SWITCH NUMBER MARKERS - APPLICATION
- TK-08-002 SWITCH MAT BELOW SIGN
- TK-08-003 SWITCH NUMBER MARKERS - HOLDERS
- TK-08-004 SWITCH NUMBER MARKERS - NUMBERS

NOTE B: SWITCH SHALL BE MOUNTED AND ADJUSTED BY INSTALLER SUCH THAT THE SWITCH OPENS AND CLOSES WITH EASE.

NOTE C: MOUNTING HARDWARE IS INCLUDED ON STRUCTURE DRAWINGS.

NOTE D: MANUFACTURER PROVIDED WIRE BRAID GROUND ATTACHED TO SWITCH HANDLE SHALL BE GROUNDED TO THE STRUCTURE GROUND BY THE INSTALLER.

CHARACTERISTIC	VALUE
NOMINAL USAGE VOLTAGE	38KV
BASIC IMPULSE LEVEL	200KV

THIS IS A COMPUTER GENERATED DRAWING - DO NOT REVISE MANUALLY

Contact Engineering Standards - Transmission Section for the creation of new standards and CUs.

Drawing Scale: NTS



TRANSMISSION
CONSTRUCTION
STANDARDS
MANUAL

TRANSMISSION STANDARDS - SWITCHES
38kV HORIZONTAL MOUNTED SWITCH - GANG-OPERATED
ONE-WAY LOAD INTERRUPTING

REVISION	00
DATE	10/22/2015

Drwn. By: C. Gauvin
Date Dr.: 10/22/2015

Checked By: Becken/Hart

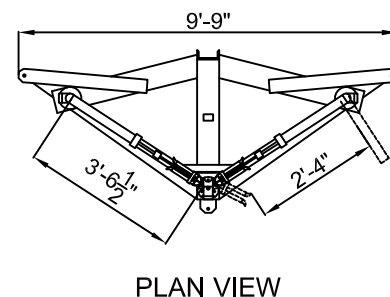
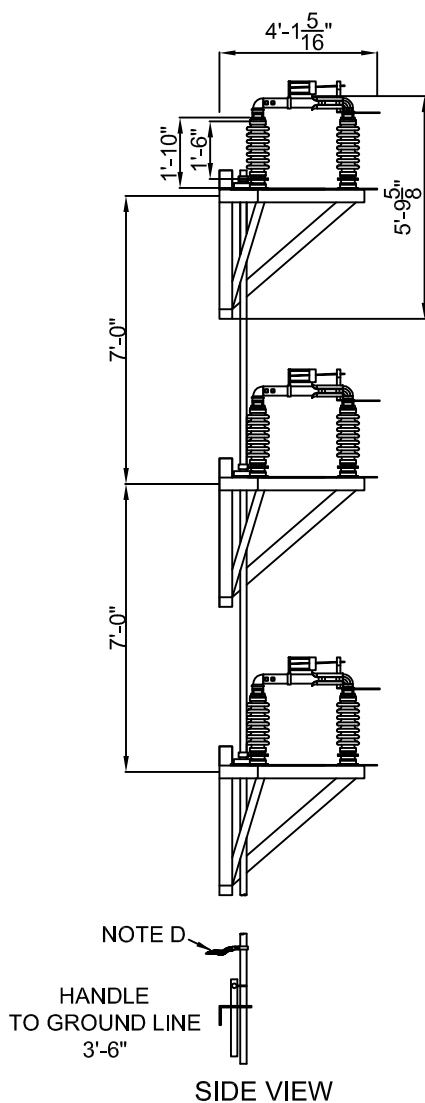
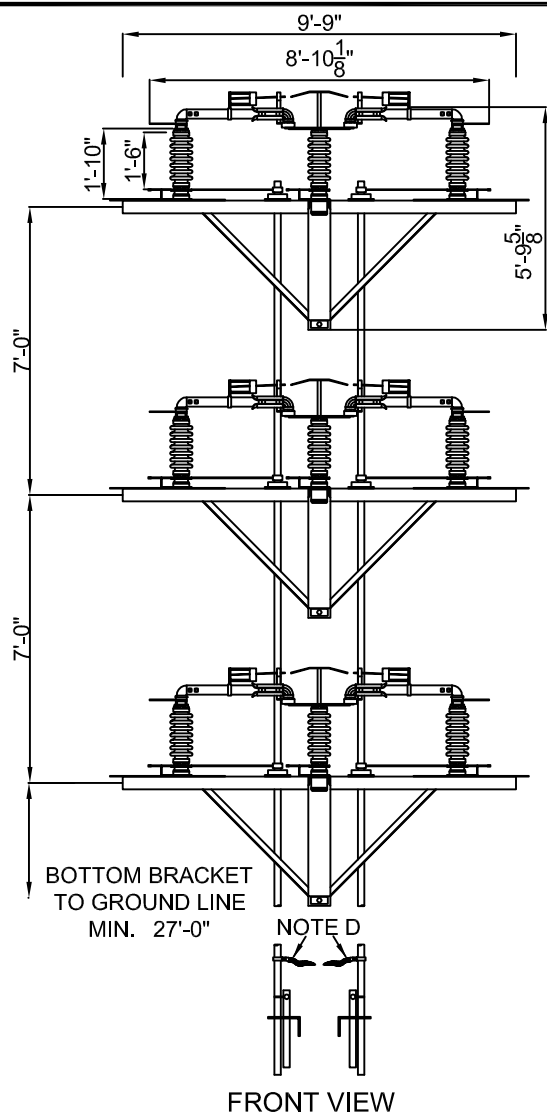
Date Ck.: / /2015

Approved By: Barry R. Hart

Date App.: / /2015

TM2.23.TU-SW5CxS

Sheet 1



CU FUNCTION: U_TL69 FOR 35KV & 46KV, U_TG69 FOR 69KV THRU 344KV, U_T345 FOR 345KV & GREATER.

FOR CORRECT CU: SUBSTITUTE 2 FOR NYSEG, 3 FOR CMP OR 4 FOR RG&E IN PLACE OF ASTERISK (U*).

- NOTE A: OTHER STANDARD DRAWINGS REQUIRED:
- TG-05-001 SWITCH MAT
 - TK-08-001 SWITCH NUMBER MARKERS - APPLICATION
 - TK-08-002 SWITCH MAT BELOW SIGN
 - TK-08-003 SWITCH NUMBER MARKERS - HOLDERS
 - TK-08-004 SWITCH NUMBER MARKERS - NUMBERS

NOTE B: SWITCH SHALL BE MOUNTED AND ADJUSTED BY INSTALLER SUCH THAT THE SWITCH OPENS AND CLOSES WITH EASE.

NOTE C: MOUNTING HARDWARE IS INCLUDED ON STRUCTURE DRAWINGS.

NOTE D: MANUFACTURER PROVIDED WIRE BRAID GROUND ATTACHED TO SWITCH HANDLE SHALL BE GROUNDED TO THE STRUCTURE GROUND BY THE INSTALLER.

CHARACTERISTIC	VALUE
NOMINAL USAGE VOLTAGE	38KV
BASIC IMPULSE LEVEL	200KV

THIS IS A COMPUTER GENERATED DRAWING - DO NOT REVISE MANUALLY

Contact Engineering Standards - Transmission Section for the creation of new standards and CUs.

Drawing Scale: 1" = 5'



TRANSMISSION
CONSTRUCTION
STANDARDS
MANUAL

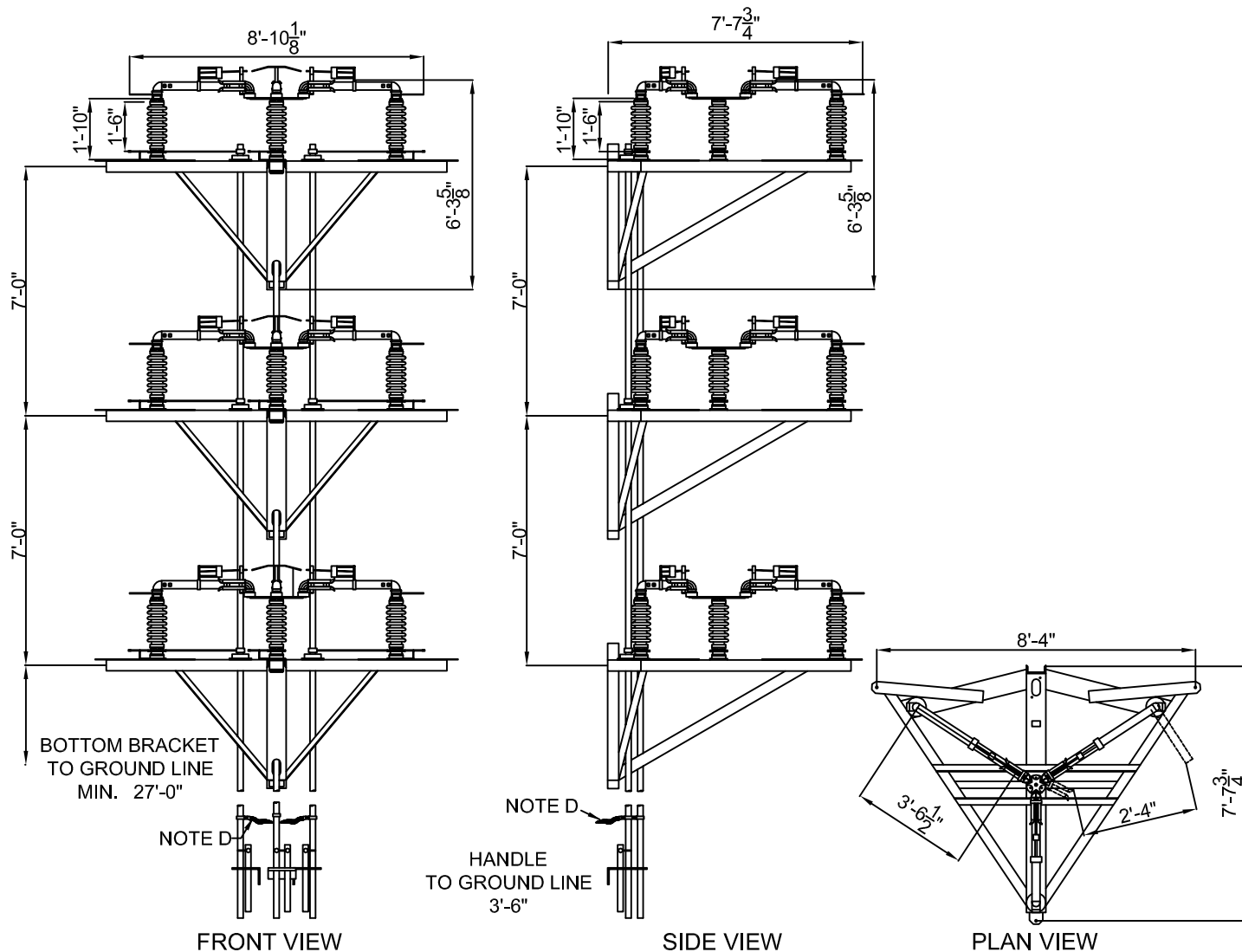
TRANSMISSION STANDARDS - SWITCHES
38kV HORIZONTAL MOUNTED SWITCH - GANG-OPERATED
TWO-WAY LOAD INTERRUPTING

REVISION
01
DATE
10/21/2015

Drwn. By:	Date Dr.:	Checked By:	Date Ck.:	Approved By:	Date App.:
C. Gauvin	10/08/2014	Becken/Hart	3/05/2015	Barry R. Hart	4/09/2015

TM2.23.TU-SW5DxS

Sheet 1



CU FUNCTION: U_TL69 FOR 35KV & 46KV, U_TG69 FOR 69KV THRU 344KV, U_T345 FOR 345KV & GREATER.

FOR CORRECT CU: SUBSTITUTE 2 FOR NYSEG, 3 FOR CMP OR 4 FOR RG&E IN PLACE OF ASTERISK (U*_).

- NOTE A: OTHER STANDARD DRAWINGS REQUIRED:
- TG-05-001 SWITCH MAT
 - TK-08-001 SWITCH NUMBER MARKERS - APPLICATION
 - TK-08-002 SWITCH MAT BELOW SIGN
 - TK-08-003 SWITCH NUMBER MARKERS - HOLDERS
 - TK-08-004 SWITCH NUMBER MARKERS - NUMBERS

NOTE B: SWITCH SHALL BE MOUNTED AND ADJUSTED BY INSTALLER SUCH THAT THE SWITCH OPENS AND CLOSES WITH EASE.

NOTE C: MOUNTING HARDWARE IS INCLUDED ON STRUCTURE DRAWINGS.

NOTE D: MANUFACTURER PROVIDED WIRE BRAID GROUND ATTACHED TO SWITCH HANDLE SHALL BE GROUNDED TO THE STRUCTURE GROUND BY THE INSTALLER.

CHARACTERISTIC	VALUE
NOMINAL USAGE VOLTAGE	38KV
BASIC IMPULSE LEVEL	200KV

THIS IS A COMPUTER GENERATED DRAWING - DO NOT REVISE MANUALLY

Contact Engineering Standards - Transmission Section for the creation of new standards and CUs.

Drawing Scale: 1" = 5'



TRANSMISSION
CONSTRUCTION
STANDARDS
MANUAL

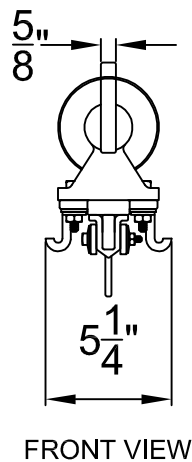
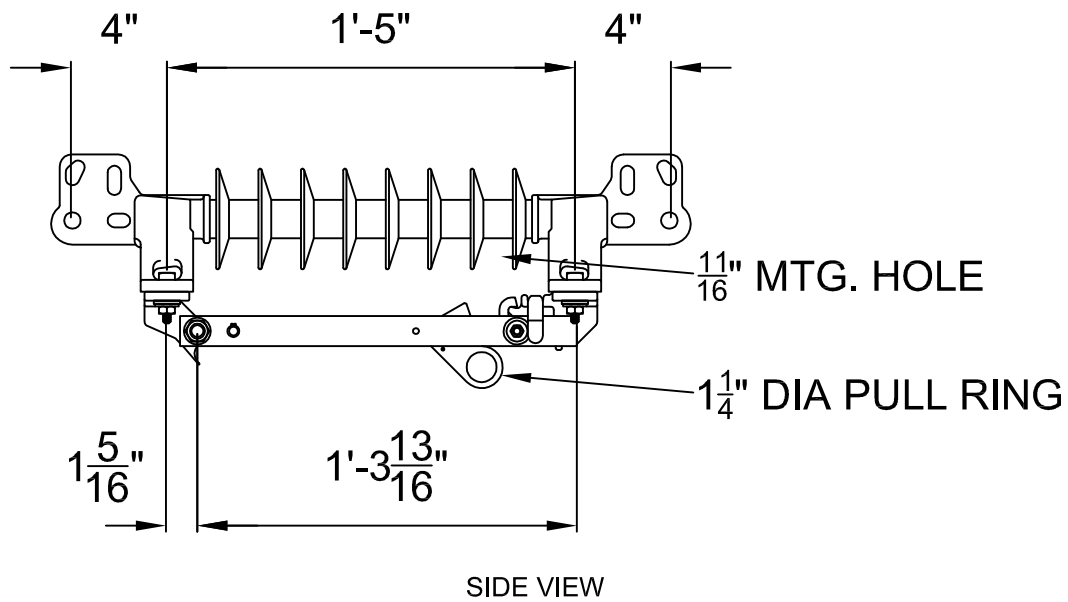
TRANSMISSION STANDARDS - SWITCHES
38kV HORIZONTAL MOUNTED SWITCH - GANG-OPERATED
THREE-WAY LOAD INTERRUPTING

REVISION	01
DATE	10/21/2015

Drwn. By:	Date Dr.:	Checked By:	Date Ck.:	Approved By:	Date App.:
C. Gauvin	10/08/2014	Becken/Hart	3/05/2015	Barry R. Hart	4/09/2015

TM2.23.TU-SW5ExS

Sheet 1



CHARACTERISTIC	VALUE
NOMINAL USAGE VOLTAGE	38KV
BASIC IMPULSE LEVEL	200KV
LOAD BREAK CURRENT	600 A

CU FUNCTION: U_TL69 FOR 35KV & 46KV, U_TG69 FOR 69KV THRU 344KV, U_T345 FOR 345KV & GREATER.

FOR CORRECT CU: SUBSTITUTE 2 FOR NYSEG, 3 FOR CMP OR 4 FOR RG&E IN PLACE OF ASTERISK (U*_).

THIS IS A COMPUTER GENERATED DRAWING - DO NOT REVISE MANUALLY

Contact Engineering Standards - Transmission Section for the creation of new standards and CUs.

Drawing Scale: 1" = 5'



TRANSMISSION
CONSTRUCTION
STANDARDS
MANUAL

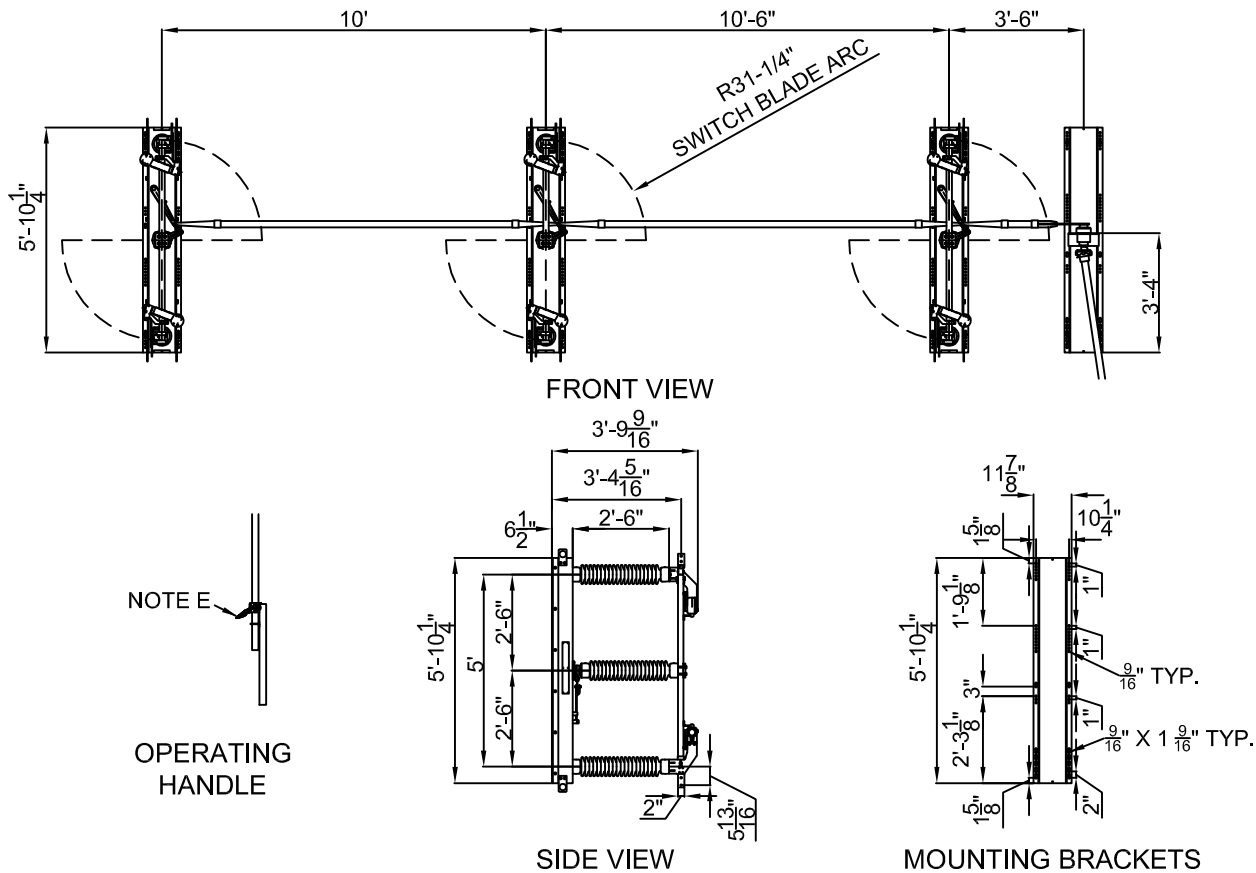
TRANSMISSION STANDARDS - SWITCHES
38KV IN-LINE DISCONNECT SWITCH - HOOKSTICK OPERATED
VERTICAL BREAK WITH LOADBREAK HOOKS 600AMP
MID: 30926770

REVISION	01
DATE	7/15/2015

Drwn. By:	Date Dr.:	Checked By:	Date Ck.:	Approved By:	Date App.:
B. Franklin	10/09/2014	Becken/Hart	3/05/2015	Barry R. Hart	4/09/2015

TM2.23.TU-SW516

Sheet 1



CU FUNCTION: U_TL69 FOR 35KV & 46KV, U_TG69 FOR 69KV THRU 344KV, U_T345 FOR 345KV & GREATER.

FOR CORRECT CU: SUBSTITUTE 2 FOR NYSEG, 3 FOR CMP OR 4 FOR RG&E IN PLACE OF ASTERISK (U* _).

NOTE A: OTHER STANDARD DRAWINGS REQUIRED:

- TG-05-001 SWITCH MAT
- TK-08-001 SWITCH NUMBER MARKERS - APPLICATION
- TK-08-002 SWITCH MAT BELOW SIGN
- TK-08-003 SWITCH NUMBER MARKERS - HOLDERS
- TK-08-004 SWITCH NUMBER MARKERS - NUMBERS

NOTE B: SWITCH SHALL BE MOUNTED AND ADJUSTED BY CONTRACTOR SUCH THAT THE SWITCH OPENS AND CLOSES WITH EASE.

NOTE C: MOUNTING HARDWARE IS INCLUDED ON STRUCTURE DRAWINGS.

NOTE D: MANUFACTURER PROVIDED LIFTING APPURTENANCE SHALL BE REMOVED AFTER INSTALLATION.

NOTE E: MANUFACTURER PROVIDED WIRE BRAID GROUND ATTACHED TO SWITCH HANDLE SHALL BE GROUNDED TO THE STRUCTURE GROUND BY THE CONTRACTOR.

CHARACTERISTIC	VALUE
NOMINAL USAGE VOLTAGE	72.5KV
BASIC IMPULSE LEVEL	350KV
INTERRUPTING CURRENT	1,200 A
MOMENTARY CURRENT	40,000 A
LENGTH OF PROVIDED OPERATING PIPE	30 FT

THIS IS A COMPUTER GENERATED DRAWING - DO NOT REVISE MANUALLY

Contact Engineering Standards - Transmission Section for the creation of new standards and CUs.

Drawing Scale: 1" = 5'



TRANSMISSION
CONSTRUCTION
STANDARDS
MANUAL

TRANSMISSION STANDARDS - SWITCHES
72.5kv HORIZONTAL MOUNTED SWITCH - GANG-OPERATED
DOUBLE BREAK LOAD BREAK 1200 AMP

REVISION
01
DATE
7/15/2015

Drwn. By: B. Franklin
Date Dr.: 10/08/2014

Checked By: Becken/Hart

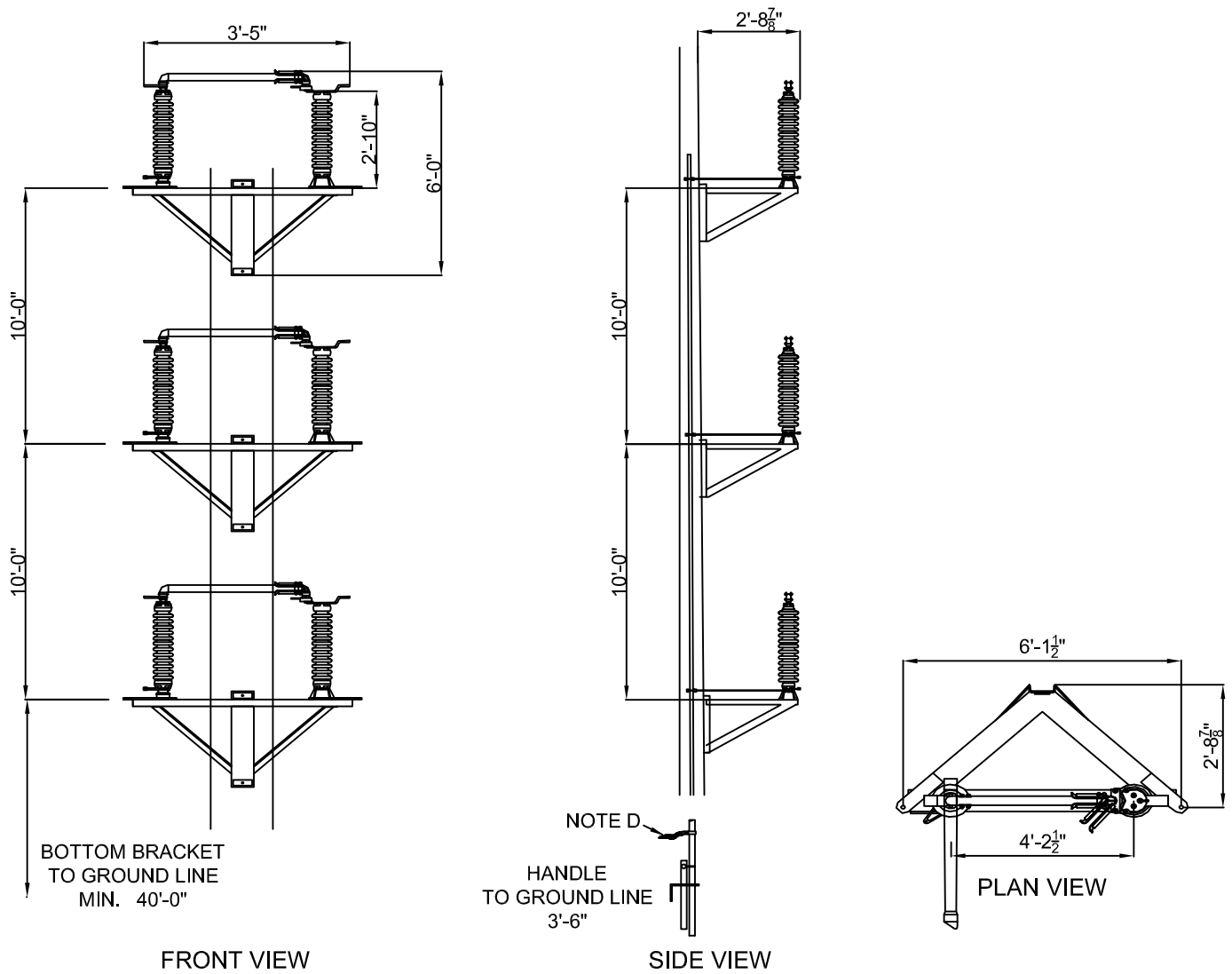
Date Ck.: 3/05/2015

Approved By: Barry R. Hart

Date App.: 4/09/2015

TM2.23.TU-SW6A1D

Sheet 1



CU FUNCTION: U_TL69 FOR 35KV & 46KV, U_TG69 FOR 69KV THRU 344KV, U_T345 FOR 345KV & GREATER.

FOR CORRECT CU: SUBSTITUTE 2 FOR NYSEG, 3 FOR CMP OR 4 FOR RG&E IN PLACE OF ASTERISK (U*).

NOTE A: OTHER STANDARD DRAWINGS REQUIRED:

- TG-05-001 SWITCH MAT
- TK-08-001 SWITCH NUMBER MARKERS - APPLICATION
- TK-08-002 SWITCH MAT BELOW SIGN
- TK-08-003 SWITCH NUMBER MARKERS - HOLDERS
- TK-08-004 SWITCH NUMBER MARKERS - NUMBERS

NOTE B: SWITCH SHALL BE MOUNTED AND ADJUSTED BY INSTALLER SUCH THAT THE SWITCH OPENS AND CLOSES WITH EASE.

NOTE C: MOUNTING HARDWARE IS INCLUDED ON STRUCTURE DRAWINGS.

NOTE D: MANUFACTURER PROVIDED WIRE BRAID GROUND ATTACHED TO SWITCH HANDLE SHALL BE GROUNDED TO THE STRUCTURE GROUND BY THE INSTALLER.

CHARACTERISTIC	VALUE
NOMINAL USAGE VOLTAGE	72.5KV
BASIC IMPULSE LEVEL	300KV

THIS IS A COMPUTER GENERATED DRAWING - DO NOT REVISE MANUALLY

Contact Engineering Standards - Transmission Section for the creation of new standards and CUs.

Drawing Scale: NTS



TRANSMISSION
CONSTRUCTION
STANDARDS
MANUAL

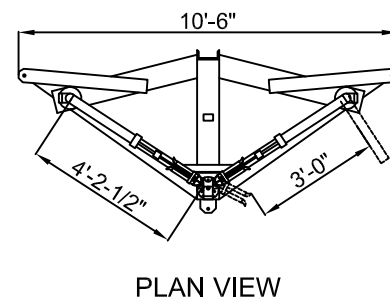
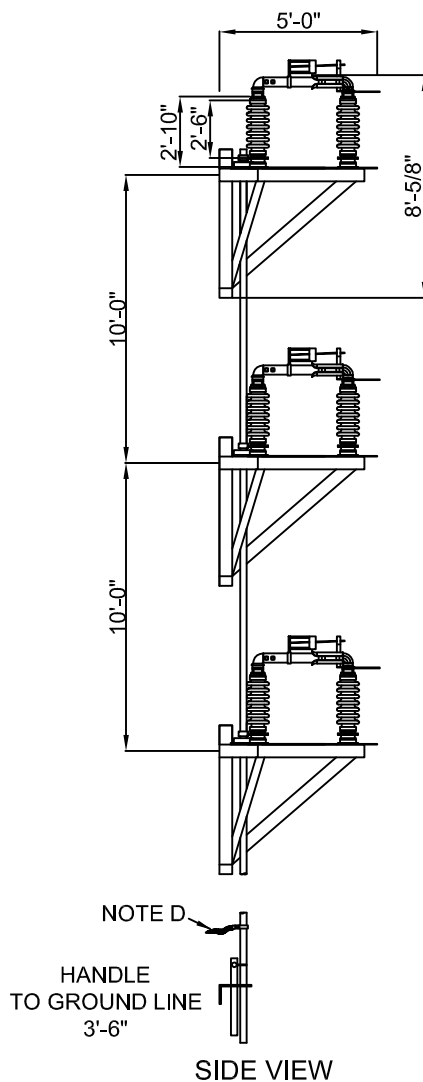
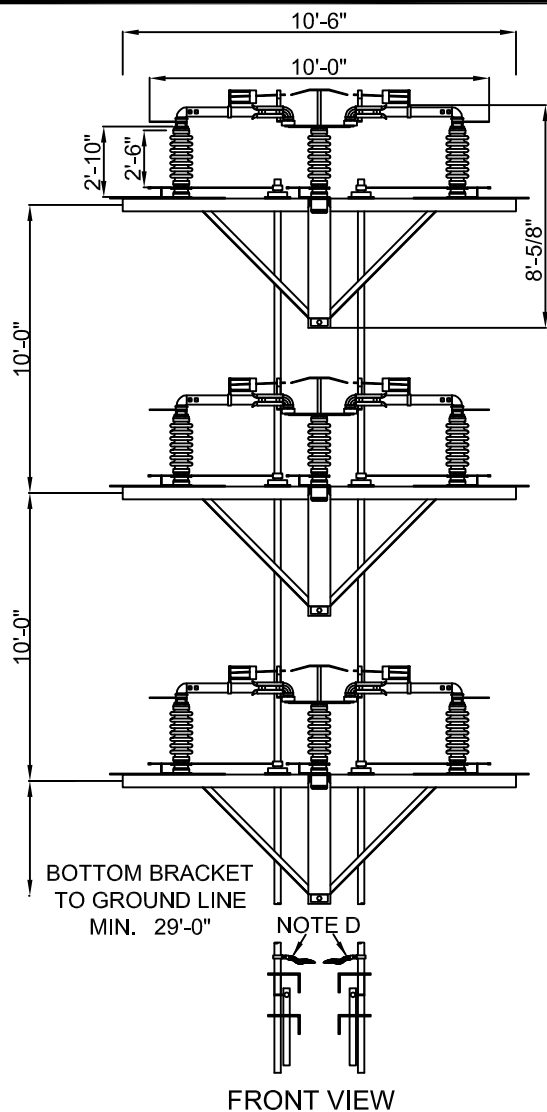
TRANSMISSION STANDARDS - SWITCHES
72.5kv HORIZONTAL MOUNTED SWITCH - GANG-OPERATED
ONE-WAY LOAD INTERRUPTING

REVISION	00
DATE	10/22/2015

Drwn. By:	Date Dr.:	Checked By:	Date Ck.:	Approved By:	Date App.:
C. Gauvin	10/22/2015	Becken/Hart	//2015	Barry R. Hart	//2015

TM2.23.TU-SW6CxS

Sheet 1



CU FUNCTION: U_TL69 FOR 35KV & 46KV, U_TG69 FOR 69KV THRU 344KV, U_T345 FOR 345KV & GREATER.

FOR CORRECT CU: SUBSTITUTE 2 FOR NYSEG, 3 FOR CMP OR 4 FOR RG&E IN PLACE OF ASTERISK (U*_).

NOTE A: OTHER STANDARD DRAWINGS REQUIRED:

- TG-05-001 SWITCH MAT
- TK-08-001 SWITCH NUMBER MARKERS - APPLICATION
- TK-08-002 SWITCH MAT BELOW SIGN
- TK-08-003 SWITCH NUMBER MARKERS - HOLDERS
- TK-08-004 SWITCH NUMBER MARKERS - NUMBERS

NOTE B: SWITCH SHALL BE MOUNTED AND ADJUSTED BY INSTALLER SUCH THAT THE SWITCH OPENS AND CLOSES WITH EASE.

NOTE C: MOUNTING HARDWARE IS INCLUDED ON STRUCTURE DRAWINGS.

NOTE D: MANUFACTURER PROVIDED WIRE BRAID GROUND ATTACHED TO SWITCH HANDLE SHALL BE GROUNDED TO THE STRUCTURE GROUND BY THE INSTALLER.

CHARACTERISTIC	VALUE
NOMINAL USAGE VOLTAGE	72.5KV
BASIC IMPULSE LEVEL	350KV

THIS IS A COMPUTER GENERATED DRAWING - DO NOT REVISE MANUALLY

Contact Engineering Standards - Transmission Section for the creation of new standards and CUs.

Drawing Scale: 1" = 5'



TRANSMISSION
CONSTRUCTION
STANDARDS
MANUAL

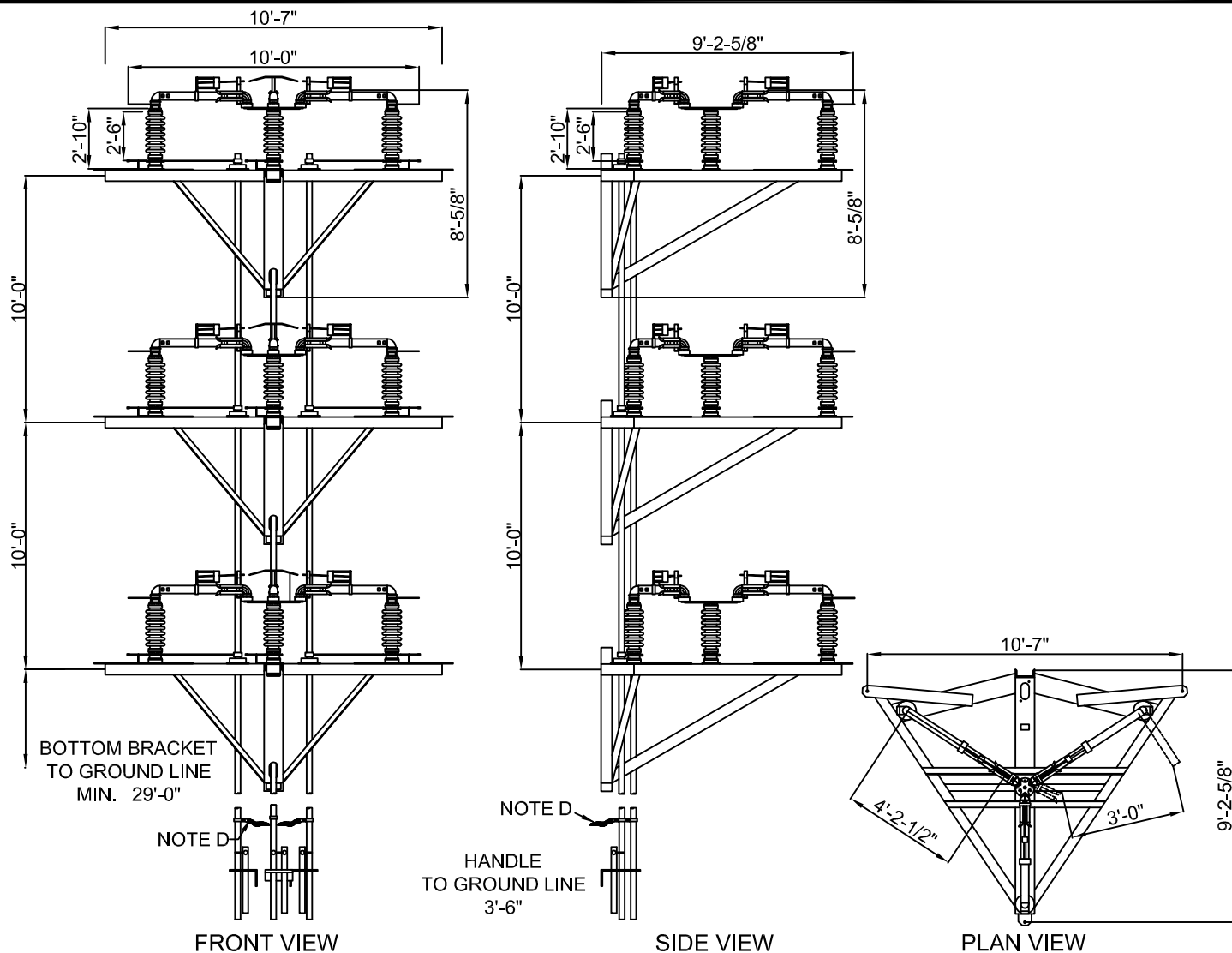
TRANSMISSION STANDARDS - SWITCHES
72.5kv HORIZONTAL MOUNTED SWITCH - GANG-OPERATED
TWO-WAY LOAD INTERRUPTING

REVISION	01
DATE	10/21/2015

Drwn. By:	Date Dr.:	Checked By:	Date Ck.:	Approved By:	Date App.:
C. Gauvin	10/08/2014	Becken/Hart	3/05/2015	Barry R. Hart	4/09/2015

TM2.23.TU-SW6DxS

Sheet 1



CU FUNCTION: U_TL69 FOR 35KV & 46KV, U_TG69 FOR 69KV THRU 344KV, U_T345 FOR 345KV & GREATER.

FOR CORRECT CU: SUBSTITUTE 2 FOR NYSEG, 3 FOR CMP OR 4 FOR RG&E IN PLACE OF ASTERISK (U*_).

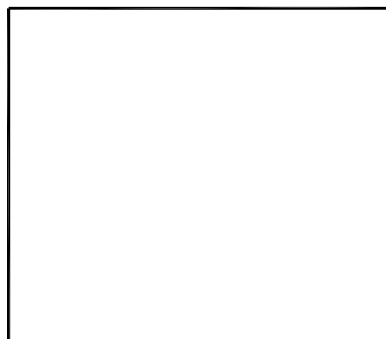
- NOTE A: OTHER STANDARD DRAWINGS REQUIRED:
 TG-05-001 SWITCH MAT
 TK-08-001 SWITCH NUMBER MARKERS - APPLICATION
 TK-08-002 SWITCH MAT BELOW SIGN
 TK-08-003 SWITCH NUMBER MARKERS - HOLDERS
 TK-08-004 SWITCH NUMBER MARKERS - NUMBERS

NOTE B: SWITCH SHALL BE MOUNTED AND ADJUSTED BY INSTALLER SUCH THAT THE SWITCH OPENS AND CLOSES WITH EASE.

NOTE C: MOUNTING HARDWARE IS INCLUDED ON STRUCTURE DRAWINGS.

NOTE D: MANUFACTURER PROVIDED WIRE BRAID GROUND ATTACHED TO SWITCH HANDLE SHALL BE GROUNDED TO THE STRUCTURE GROUND BY THE INSTALLER.

CHARACTERISTIC	VALUE
NOMINAL USAGE VOLTAGE	72.5KV
BASIC IMPULSE LEVEL	350KV



THIS IS A COMPUTER GENERATED DRAWING - DO NOT REVISE MANUALLY

Contact Engineering Standards - Transmission Section for the creation of new standards and CUs.

Drawing Scale: 1" = 5'



TRANSMISSION
 CONSTRUCTION
 STANDARDS
 MANUAL

TRANSMISSION STANDARDS - SWITCHES
 72.5kv HORIZONTAL MOUNTED SWITCH - GANG-OPERATED
 THREE-WAY LOAD INTERRUPTING

REVISION	01
DATE	10/21/2015

Drwn. By:	Date Dr.:	Checked By:	Date Ck.:	Approved By:	Date App.:
C. Gauvin	10/08/2014	Becken/Hart	3/05/2015	Barry R. Hart	4/09/2015

TM2.23.TU-SW6ExS

Sheet 1